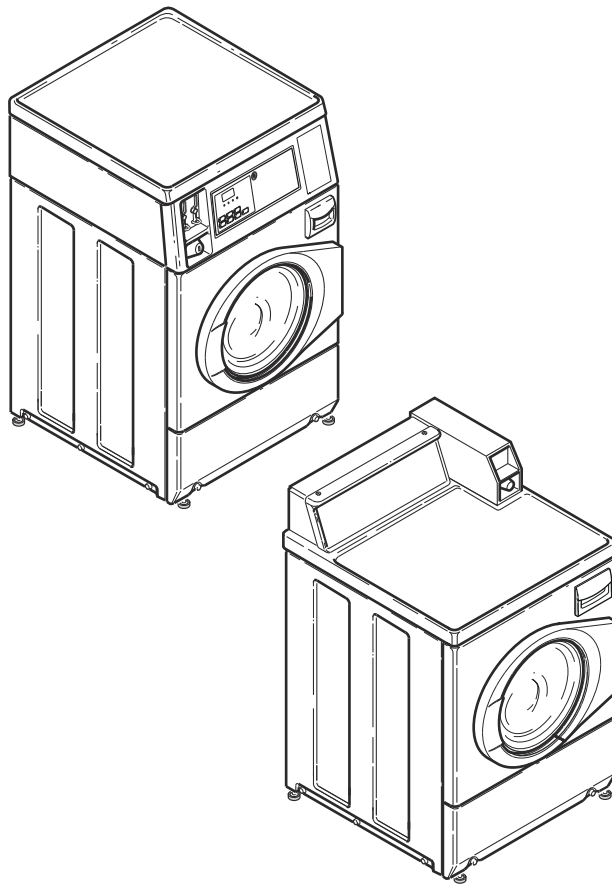


Commercial Frontload Washers

Refer to Page 3 for Model Numbers



FLW1550C_805863

Table of Contents

| Title | Page |
|--|------|
| Parts Ordering Information..... | 2 |
| Serial Plate Location | 2 |
| Model Identification | 3 |
| Control Panel and Controls | 4 |
| Top Assembly | 6 |
| Electrical Access Panel, Filters and Terminal Block (Drawing 1 of 3)..... | 8 |
| Electrical Access Panel, Filters and Terminal Block (Drawing 2 of 3)..... | 10 |
| Electrical Access Panel, Filters and Terminal Block (Drawing 3 of 3)..... | 12 |
| Network Board Assembly..... | 14 |
| Control Cabinet Controls - Front Control Coin Drop Models..... | 16 |
| Non-Electronic Coin Drop, Cabinet Front and Wrapper Assembly | 18 |
| Electronic Coin Drop | 20 |
| Control Cabinet Controls - Front Control Card Reader Ready and OPL Models..... | 22 |
| Control Cabinet - 45 Degree Front Control Models (Drawing 1 of 2)..... | 24 |
| Control Cabinet - 45 Degree Front Control Models (Drawing 2 of 2)..... | 26 |
| Coin Drop, Meter Case and Cabinet Top..... | 28 |
| Control Panel, Control Hood and Controls (Drawing 1 of 2) | 30 |
| Control Panel, Control Hood and Controls (Drawing 2 of 2) | 32 |
| Control Hood Security Kit..... | 34 |
| Front Panel, Door Assembly and Door Seal | 36 |
| Front Panel Assembly | 38 |
| Door Lock Drip Shield | 40 |
| Dispenser Assembly | 42 |
| Mixing Valve and Dispenser Hose | 44 |
| Fill Hose (Drawing 1 of 2) | 46 |
| Fill Hose (Drawing 2 of 2) | 48 |
| Outer Tub, Clamp Ring and Shock Absorbers..... | 50 |
| Inner Basket, Trunnion, Bearing Housing and Pulley | 52 |
| Motor and Belt..... | 54 |
| Drain Hoses and Valve | 56 |
| Drain Hose and Pump..... | 58 |
| Drain Pump Shield | 60 |
| Side, Base and Rear Panels..... | 62 |
| Junction Box | 64 |
| Junction Box and Power Cord | 66 |
| Shipping Materials | 68 |
| Wire Ties, Harness Clips and Lead-In Cord..... | 70 |
| Special Tools | 72 |
| Washer Labels | 74 |
| Wire Harnesses and Wires | 76 |
| Parts Index..... | 79 |

© Copyright 2017, Alliance Laundry Systems LLC

All rights reserved. No part of the contents of this book may be reproduced or transmitted in any form or by any means without the expressed written consent of the publisher.

Parts Ordering Information

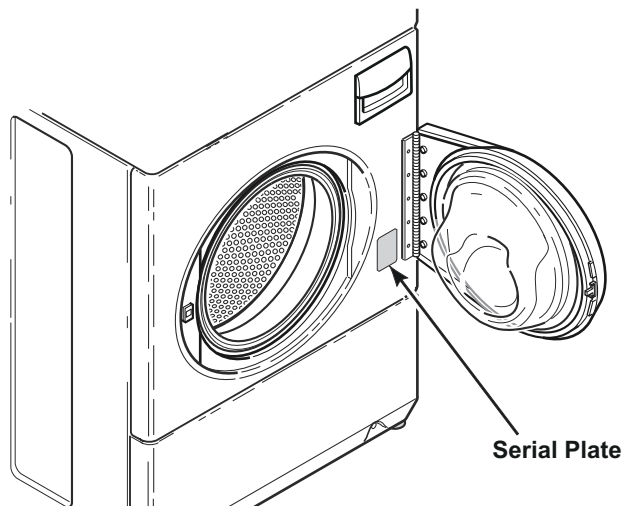
If literature or replacement parts are required, contact the source from whom the machine was purchased or contact Alliance Laundry Systems at (920) 748-3950 for the name and address of the nearest authorized parts distributor.

For technical assistance, call the number listed below:

(920) 748-3121 Ripon, Wisconsin

Serial Plate Location

When calling or writing about your product, be sure to mention model and serial numbers. Model and serial numbers are located on serial plate(s) as shown.



FLW2407N_805863

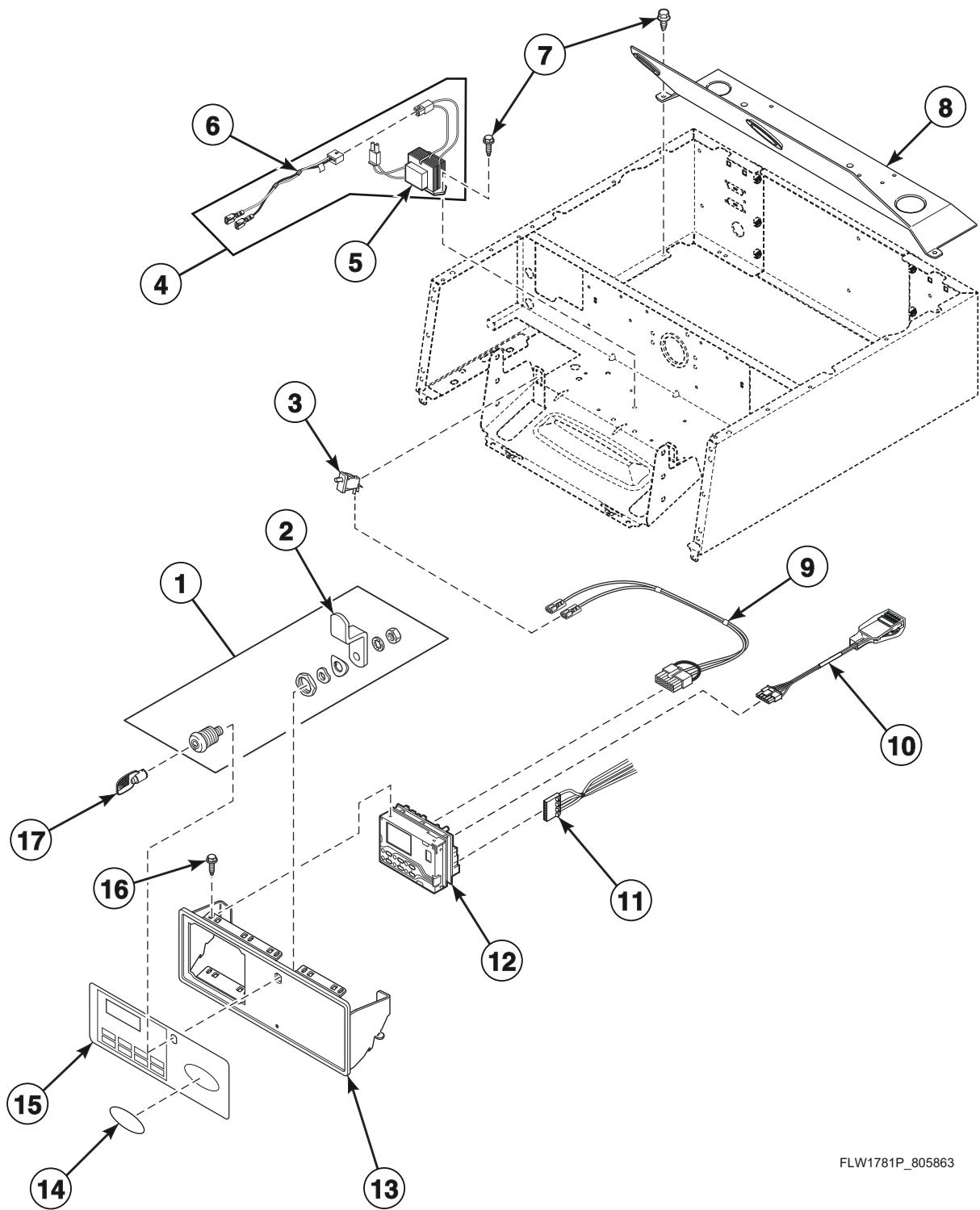
Model Identification

Information in this manual is applicable to these washer models:

| | | |
|-----------------|-----------------|-----------------|
| BF3JGBJG403UN01 | JF3JEASP413EW06 | SF3JXASP403EW06 |
| BF3JGBJG403UN06 | JF3JGASP413EW06 | SFNNCAJP113TW01 |
| BF3JGBJG403UW01 | JF3JGBSP413EW06 | SFNNCASG113TN01 |
| BF3JGBJG403UW06 | JF3JMASG413EN06 | SFNNCASG113TQ01 |
| BF3JGBJP403UN01 | JF3JMBSG413EN06 | SFNNCASG113TW01 |
| BF3JGBJP403UN06 | JF3JXASP413EW06 | SFNNCASP113TN01 |
| BF3JGBJP403UW01 | JFNJEASG303EW06 | SFNNCASP113TQ01 |
| BF3JGBJP403UW06 | JFNJEASP303EW06 | SFNNCASP113TW01 |
| BF3JGBSG403UN01 | JFNJXASG303EW06 | SFNNCRSP113TW01 |
| BF3JGBSG403UN06 | JFNJXASP303EW06 | SFNNCRSP113TW02 |
| BF3JGBSG403UW01 | NF3JGBSP403SW01 | SFNNEASP113CW01 |
| BF3JGBSG403UW06 | NF3JLBSG403UN01 | SFNNERSP113CW02 |
| BF3JGBSP403UN01 | NF3JLBSG403UT01 | SFNNXAJP113CN01 |
| BF3JGBSP403UN06 | NF3JLBSG403UT06 | SFNNXASG113JW01 |
| BF3JGBSP403UW01 | NF3JLBSP403NN22 | SFNNXASG113TW01 |
| BF3JGBSP403UW06 | NF3JLBSP403NW22 | SFNNXASP113CN01 |
| BF3JLBSG403UN01 | NF3JLBSP403UN01 | SFNNXASP113CW01 |
| BF3JLBSG403UN06 | NF3JLBSP403UT01 | SFNNXASP113TN01 |
| BF3JLBSG403UW01 | NF3JLBSP403UT06 | SFNNXASP113TW01 |
| BF3JLBSG403UW06 | NF3JLBSP403UW01 | SFNNXASP123DW01 |
| BF3JLBSP403UN01 | NF3JXASG403UN01 | SFNNXASP303AN01 |
| BF3JLBSP403UN06 | NF3JXASG403UW01 | SFNNXASP303AN12 |
| BF3JLBSP403UW01 | NF3JXASP403NW22 | SFNNXASP303AW01 |
| BF3JLBSP403UW06 | NF3JXASP403UN01 | SFNNXASP303AW12 |
| BF3JXASG403UN01 | NF3JXASP403UW01 | SFNNXASP543DW01 |
| BF3JXASG403UN06 | NF3JXASP403UW06 | SFNNXRSP113CW02 |
| BF3JXASP403UN01 | NF3JYASG403UW01 | SFNNXRSP113TW02 |
| BF3JXASP403UN06 | PF3JGBJG403UG06 | SFNNXRSP543NW23 |
| BF3JXASP403UW01 | PF3JGBJP403UG06 | SFNNYAJP113TW01 |
| BF3JXASP403UW06 | PF3JGBSG403UG06 | SFNNYASG113TN01 |
| HFNNEASP113CW01 | PF3JGBSP403UG06 | SFNNYASG113TW01 |
| HFNNERSP113CW01 | PF3JXASG403UG06 | SFNNYASP113CW01 |
| HFNNXASP113CN01 | PF3JXASP403UG06 | SFNNYASP113TN01 |
| HFNNXASP113CW01 | PFNJCASG114TG01 | SFNNYASP113TW01 |
| HFNNXASP123DW01 | PFNJCASG114TN01 | SFNNYBSP113TN01 |
| HFNNXASP543DW01 | PFNJCASP114TG01 | SFNNYBSP113TW01 |
| HFNNXRSP113CW01 | PFNJCASP114TN01 | SFNNYRSP113TW01 |
| HFNNYASP113CW01 | PFNJXASG114TG01 | SFNWCASG113TN01 |
| HFNNYBSP113CW01 | PFNJXASG114TN01 | SFNWCASP113TN01 |
| HFNNYRSP113CW01 | PFNJXASG303UG06 | SFNWYASG113TN01 |
| | PFNJXASG543ZG01 | SFNWYASP113TN01 |
| | PFNJXASP114TG01 | SFNWYASP113TW01 |
| | PFNJXASP303UG06 | SFNWYRSP113TW01 |
| | PFNJXASP304AG01 | TF3JXASP403NW22 |
| | PFNJXASP543ZG01 | |

Control Panel and Controls

10 Degree Front Control Models



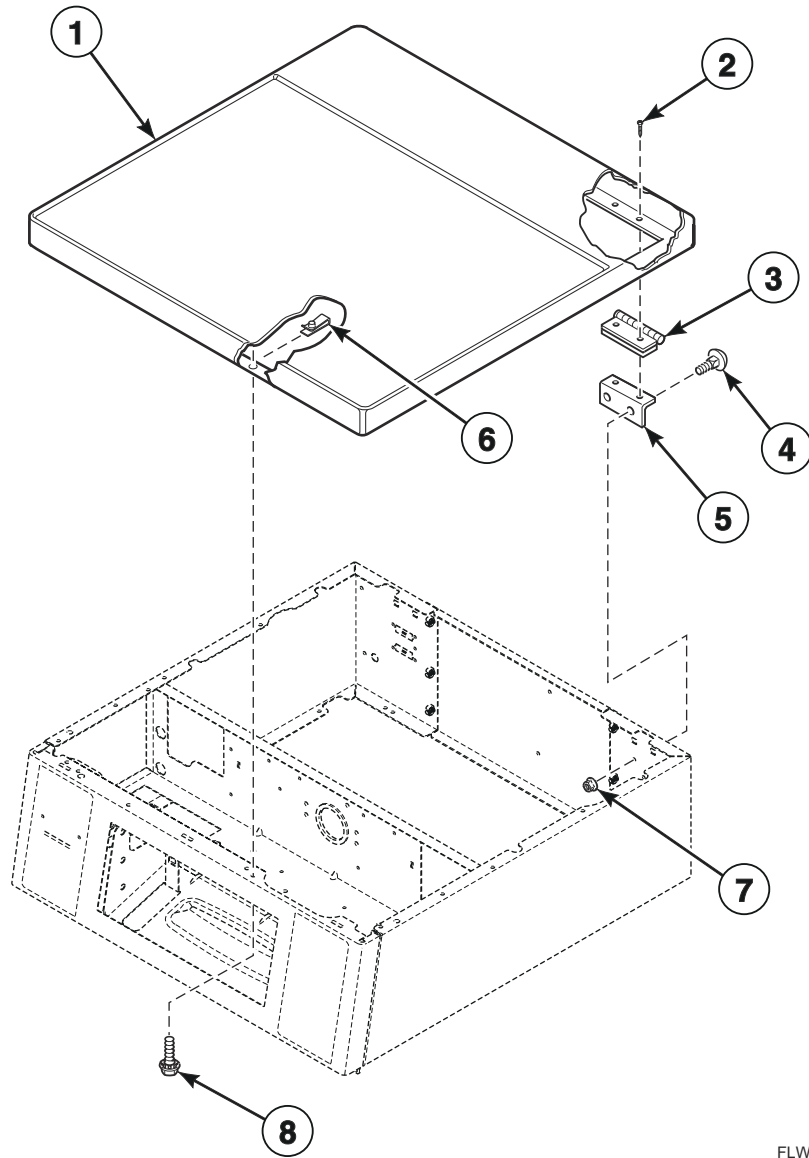
FLW1781P_805863

Control Panel and Controls

| REF | PART NO. | DESCRIPTION | COMMENTS |
|-----|----------|-----------------------------|---|
| | 203328 | Network Retrofit Kit | Wired |
| | NK220 | Network Controller Kit | Wired |
| | 203327 | Wireless Network Kit | |
| | NK320 | Ethernet Gateway Kit | Wireless |
| | 203346 | USB IR Interface Kit | |
| | NK330 | USB Gateway Kit | Wireless |
| 1 | 804339P | Lock Assembly | |
| 2 | 804338 | Lock Cam | |
| 3 | 512973 | Switch | |
| 4 | 203423 | Transformer Kit | 120 Volt; Includes items 5 and 6 |
| | 203424 | Transformer Kit | 240 Volt; Includes items 5 and 6 |
| 5 | 202757 | Transformer | 120 Volt |
| | 202758 | Transformer | 240 Volt |
| 6 | 804795 | Transformer Harness | 120 Volt |
| | 805428 | Transformer Harness | 240 Volt |
| 7 | 503688 | Screw | |
| 8 | 804363 | Control Shield | |
| 9 | 202868 | Wiring Harness Assembly | Diagnostic |
| 10 | 203361P | Machine ID Control Assembly | Model or serial number is required when ordering |
| 11 | 805427 | Central Pay Harness | |
| 12 | 804472P | Control Assembly | Red LEDs; Models BF3JXASG403UN01, BF3JXASG403UN06, BF3JXASP403UN01, BF3JXASP403UN06, BF3JXASP403UW01 and BF3JXASP403UW06 |
| | 806041P | Control Assembly | Blue LEDs; Models PF3JXASG403UG06, PF3JXASP403UG06, PFNJCASG114TG01, PFNJCASG114TN01, PFNJCASP114TG01, PFNJCASP114TN01, PFNJCASG114TG01, PFNJCASG114TN01, PFNJCASG303UG06, PFNJCASG543ZG01, PFNJCASP114TG01, PFNJCASP303UG06, PFNJCASP304AG01 and PFNJCASP543ZG01 |
| | 804471P | Control Assembly | Green LEDs; All other models |
| 13 | 804070Q | Control Panel Assembly | Bisque |
| | 804070W | Control Panel Assembly | White |
| | 804070DG | Control Panel Assembly | Dark gray |
| | 804070B | Control Panel Assembly | Black |
| 14 | 804969 | Label | Model SF3JXASP403EW06 |
| | 805914 | Label | Model TF3JXASP403NW22 |
| 15 | 805374 | Overlay | Models BF3JXASG403UN01, BF3JXASG403UN06, BF3JXASP403UN01, BF3JXASP403UN06, BF3JXASP403UW01 and BF3JXASP403UW06 |
| | 805766 | Overlay | Models PF3JXASG403UG06, PF3JXASP403UG06, PFNJCASG303UG06, PFNJCASG543ZG01, PFNJCASP303UG06 and PFNJCASP543ZG01 |
| | 804851 | Overlay | Models NF3JXASG403UN01, NF3JXASG403UW01, NF3JXASP403NW22, NF3JXASP403UN01, NF3JXASP403UW01, NF3JXASP403UW06, NF3JYASG403UW01, SF3JXASP403EW06 and TF3JXASP403NW22 |
| | 805377 | Overlay | Models JF3JEASP413EW06, JF3JXASP413EW06, JFNJEASG303EW06, JFNJEASP303EW06, JFNJCASG303EW06 and JFNJCASP303EW06 |
| | 805373 | Overlay | Models HFNNXASP113CW01, HFNNXASP113CN01, HFNNXASP113CW01, HFNNXASP123DW01, HFNNXASP543DW01 and HFNNYASP113CW01 |
| | 806173 | Overlay | Models PFNJCASG114TG01, PFNJCASG114TN01, PFNJCASP114TG01, PFNJCASP114TN01, PFNJCASG114TG01, PFNJCASG114TN01, PFNJCASP114TG01 and PFNJCASP304AG01 |
| | 806015 | Overlay | Model JF3JGASP413EW06 |
| | 806016 | Overlay | Model JF3JMASG413EN06 |
| | 804849 | Overlay | All other models |
| 16 | 804647 | Screw | |
| 17 | 54612 | Key | GR800 |

Top Assembly

10 Degree Front Control Models



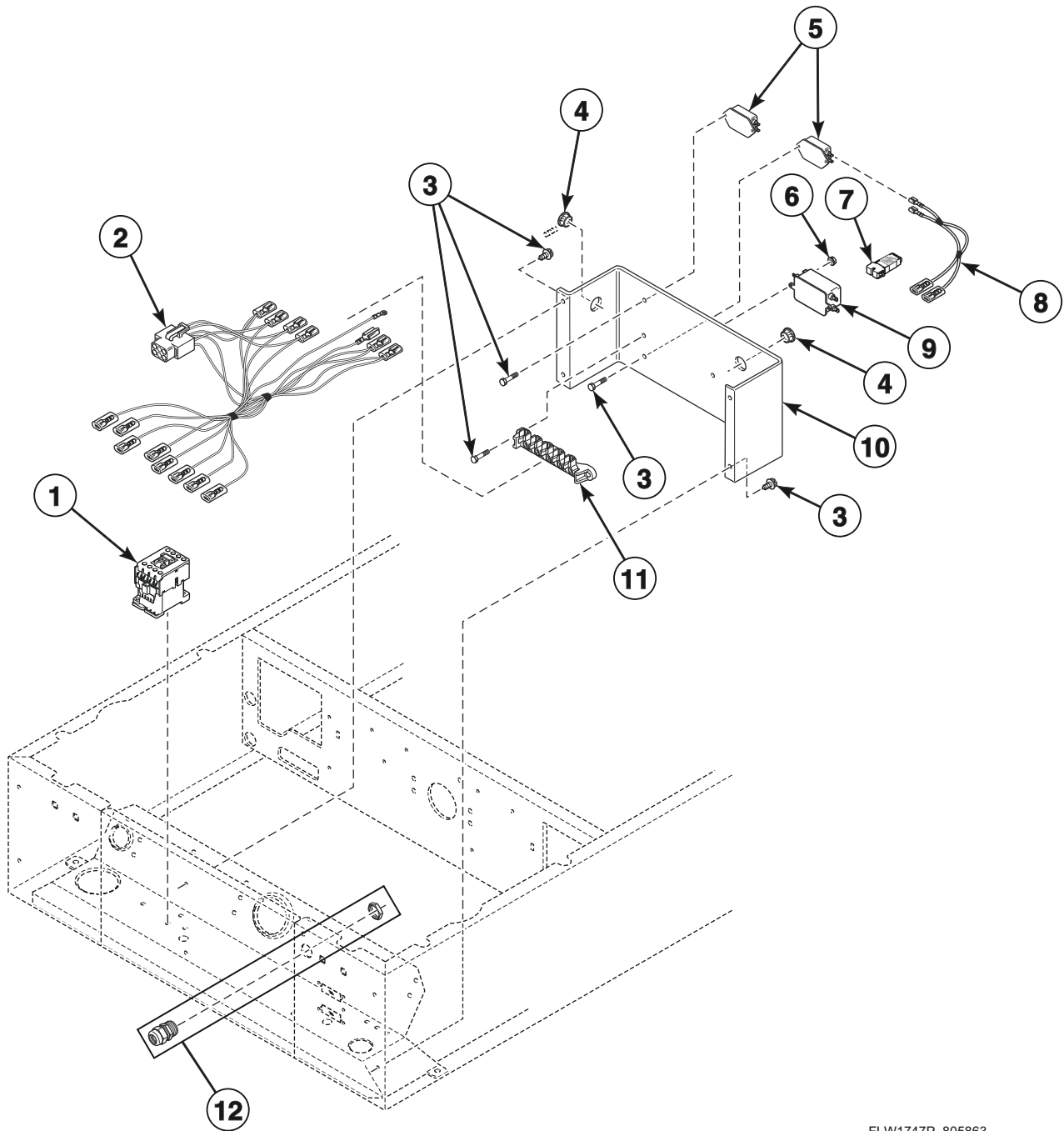
FLW1749P_805863

Top Assembly

| REF | PART NO. | DESCRIPTION | COMMENTS |
|-----|----------|----------------------|-----------------|
| 1 | 803868WP | Top Panel | White |
| | 803869 | Top Panel | Stainless steel |
| | 804023DG | Top Panel | Dark gray |
| | 803868Q | Top Panel | Bisque |
| 2 | 685847 | Pop Rivet | |
| 3 | 511036 | Hinge | |
| 4 | 29651 | Bolt | |
| 5 | 504228 | Top Mounting Bracket | |
| 6 | 36020 | Nut | |
| 7 | 44087201 | Nut | |
| 8 | 23008 | Screw | |

Electrical Access Panel, Filters and Terminal Block (Drawing 1 of 3)

Models BF3JGBJG403UN01, BF3JGBJG403UN06, BF3JGBJG403UW01, BF3JGBJG403UW06, BF3JGBJP403UN01, BF3JGBJP403UN06, BF3JGBJP403UW01, BF3JGBJP403UW06, BF3JGBSG403UN01, BF3JGBSG403UN06, BF3JGBSG403UW01, BF3JGBSG403UW06, BF3JGBSP403UN01, BF3JGBSP403UN06, BF3JGBSP403UW01, BF3JGBSP403UW06, BF3JLBSG403UN01, BF3JLBSG403UN06, BF3JLBSG403UW01, BF3JLBSG403UW06, BF3JLBSP403UN01, BF3JLBSP403UN06, BF3JLBSP403UW01, BF3JLBSP403UW06, BF3JLBSP403UN01, BF3JXASG403UN06, BF3JXASG403UN01, BF3JXASG403UW06, BF3JXASG403UW01, BF3JXASG403UN01, JF3JEASP413EW06, JF3JGASP413EW06, JF3JGBSP413EW06, JF3JMASG413EN06, JF3JMBSG413EN06, JF3JXASP413EW06, NF3JGBSP403SW01, NF3JLBSG403UN01, NF3JLBSG403UT01, NF3JLBSG403UT06, NF3JLBSP403NN22, NF3JLBSP403NW22, NF3JLBSP403UN01, NF3JLBSP403UT01, NF3JLBSP403UT06, NF3JLBSP403UW01, NF3JXASG403UN01, NF3JXASG403UW01, NF3JXASP403NW22, NF3JXASP403UN01, NF3JXASP403UW01, NF3JXASP403UW06, NF3JYASG403UW01, PF3JGBJG403UG06, PF3JGBJP403UG06, PF3JGBSG403UG06, PF3JGBSP403UG06, PF3JXASG403UG06, PF3JXASP403UG06, SF3JXASP403EW06 and TF3JXASP403NW22



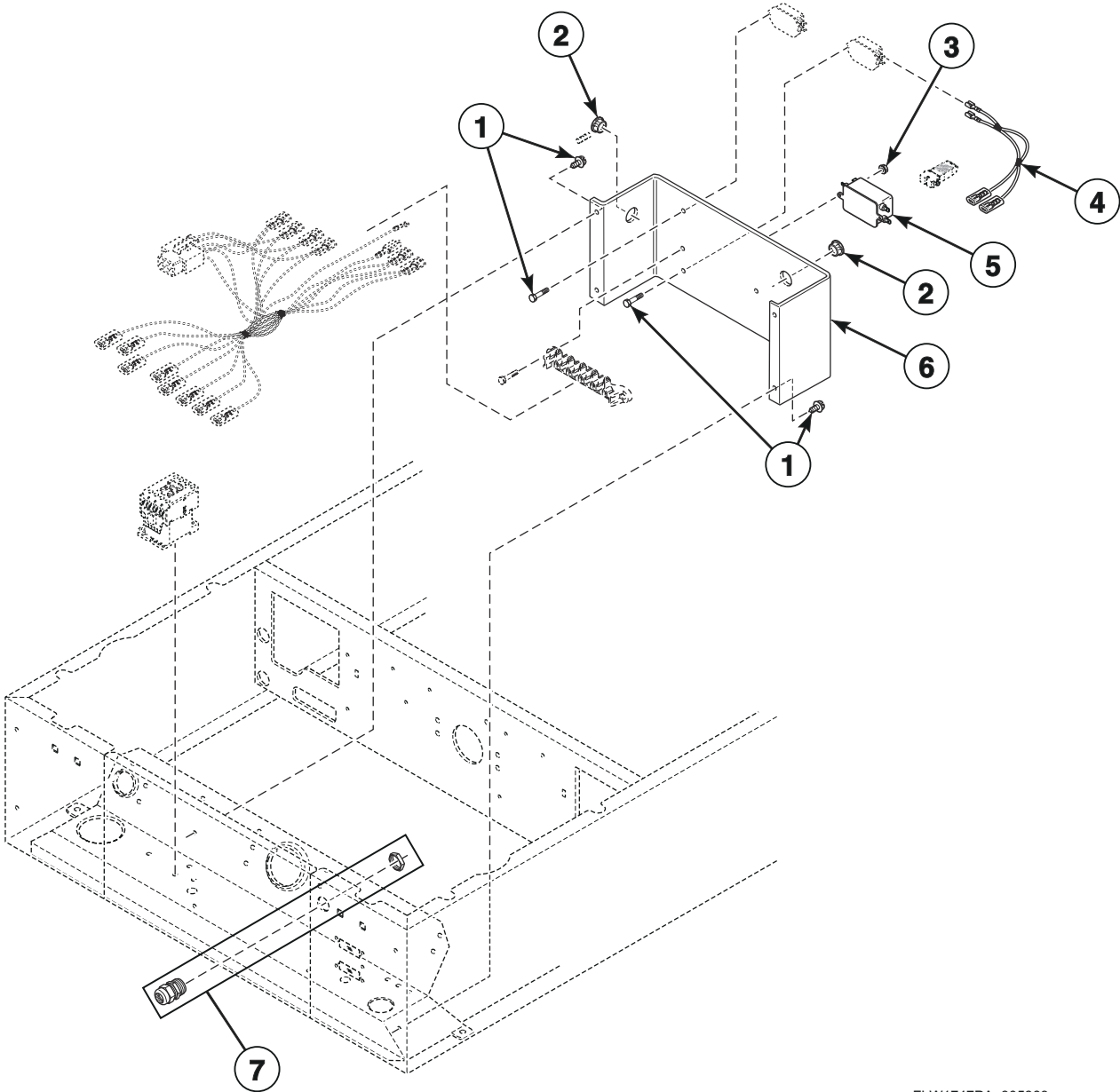
FLW1747P_805863

Electrical Access Panel, Filters and Terminal Block (Drawing 1 of 3)

| REF | PART NO. | DESCRIPTION | COMMENTS |
|-----|----------|------------------------------|---|
| | 804737 | Terminal Block Harness | |
| | 805356 | Heater Contactor Drip Shield | |
| | 805344 | Terminal Block Drip Shield | |
| | 805832 | Conversion Kit | Use to convert from 400 Volt, 50 Hertz, 3 Phase to 230 Volt, 50 Hertz, Single Phase |
| 1 | 70482603 | Contactor | Through Serial Nos. beginning 1604 |
| | 806428 | Contactor | Starting Serial Nos. beginning 1605 |
| 2 | 805544 | Heat Contactor Harness | Through Serial Nos. beginning 1604 |
| | 806431 | Heat Contactor Harness | Starting Serial Nos. beginning 1605 |
| 3 | 503661 | Screw | |
| 4 | M400770 | Snap Bushing | 45 degree front models |
| | M402542 | Snap Bushing | All other models |
| 5 | 805634 | Filter | |
| 6 | 29787 | Nut | |
| 7 | 804651 | Network Varistor Assembly | |
| 8 | 804797 | Filter Harness | Filter to main harness |
| 9 | 805633 | Line Filter | |
| 10 | 804609 | Terminal Block Panel | 45 degree front models |
| | 803988 | Terminal Block Assembly | All other models |
| 11 | 505876 | Terminal Block Assembly | |
| 12 | 801792P | Fitting | |

Electrical Access Panel, Filters and Terminal Block (Drawing 2 of 3)

Models HFNNXASP123DW01, HFNNXASP543DW01, PFNJXASG303UG06, PFNJXASG543ZG01, PFNJXASP303UG06,
PFNJXASP304AG01, PFNJXASP543ZG01, SF3JXASP403EW06, SFNNXASP123DW01, SFNNXASP303AN01,
SFNNXASP303AN12, SFNNXASP303AW01, SFNNXASP303AW12, SFNNXASP543DW01 and SFNNXRSP543NW23
Models Through Serial Nos. Beginning 1610



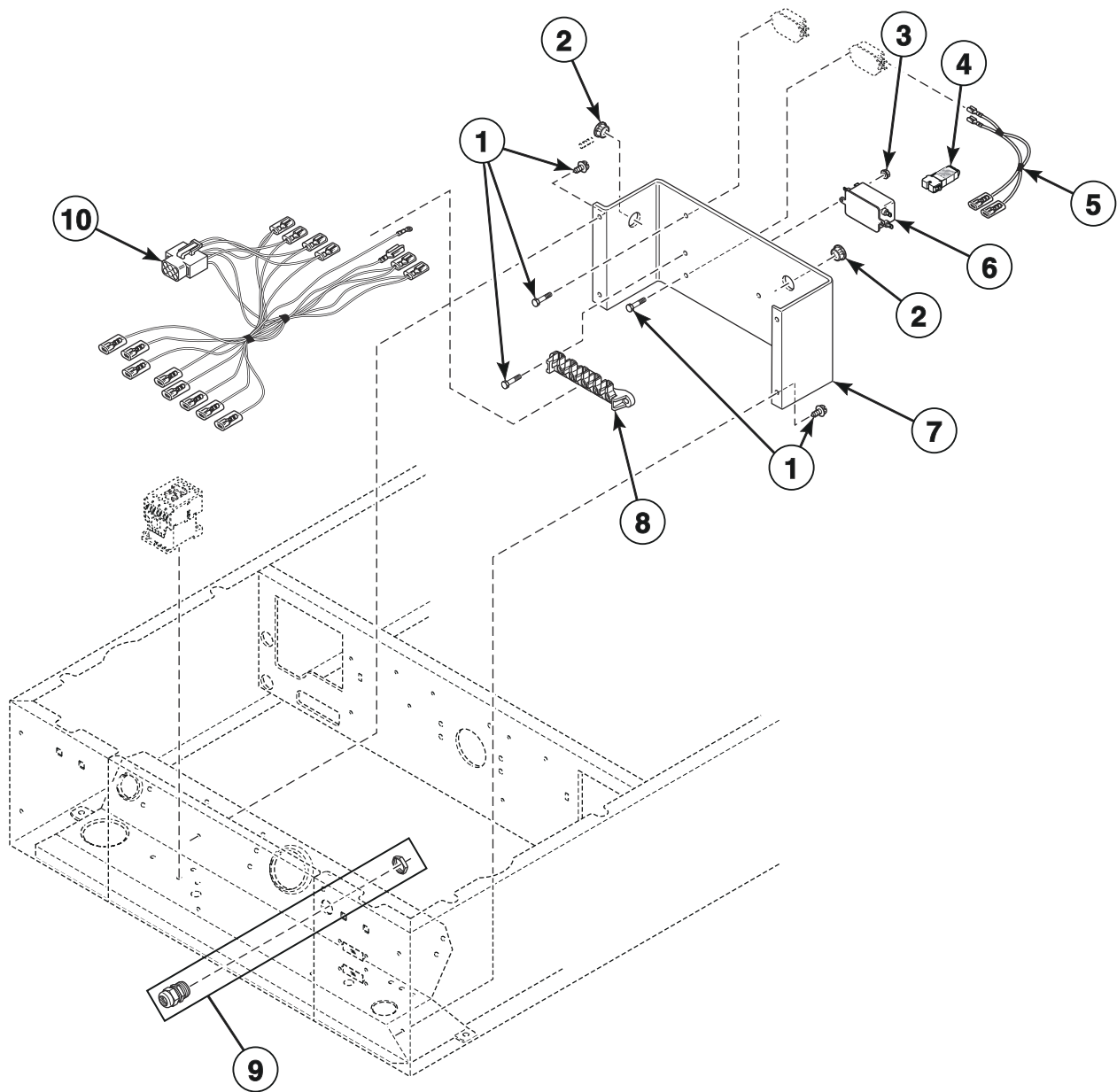
FLW1747PA_805863

Electrical Access Panel, Filters and Terminal Block (Drawing 2 of 3)

| REF | PART NO. | DESCRIPTION | COMMENTS |
|-----|----------|----------------------------|------------------------|
| | 805344 | Terminal Block Drip Shield | |
| 1 | 503661 | Screw | |
| 2 | M402542 | Snap Bushing | |
| 3 | 29787 | Nut | |
| 4 | 804797 | Filter Harness | Filter to main harness |
| 5 | 805633 | Line Filter | |
| 6 | 803988 | Terminal Block Assembly | |
| 7 | 801792P | Fitting | |

Electrical Access Panel, Filters and Terminal Block (Drawing 3 of 3)

Models JFNJEASG303EW06, JFNJEASP303EW06, JFNJXASG303EW06 and JFNJXASP303EW06



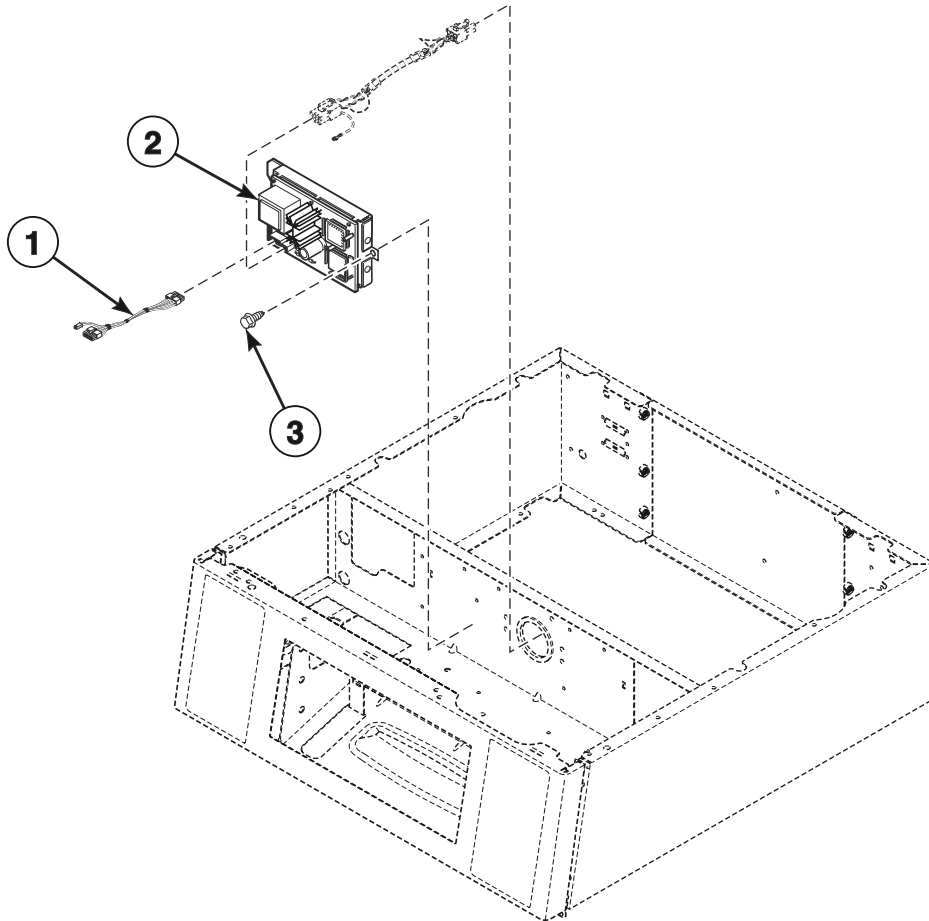
FLW1747PB_805863

Electrical Access Panel, Filters and Terminal Block (Drawing 3 of 3)

| REF | PART NO. | DESCRIPTION | COMMENTS |
|-----|----------|----------------------------|------------------------|
| | 805344 | Terminal Block Drip Shield | |
| 1 | 503661 | Screw | |
| 2 | M402542 | Snap Bushing | |
| 3 | 29787 | Nut | |
| 4 | 804651 | Network Varistor Assembly | |
| 5 | 804797 | Filter Harness | Filter to main harness |
| 6 | 805633 | Line Filter | |
| 7 | 803988 | Terminal Block Assembly | |
| 8 | 505876 | Terminal Block Assembly | |
| 9 | 801792P | Fitting | |
| 10 | 804716 | Terminal Block Harness | |

Network Board Assembly

Models SFNWCASG113TN01, SFNWCASP113TN01, SFNWYASG113TN01, SFNWYASP113TN01,
SFNWYASP113TW01 and SFNWYRSP113TW01



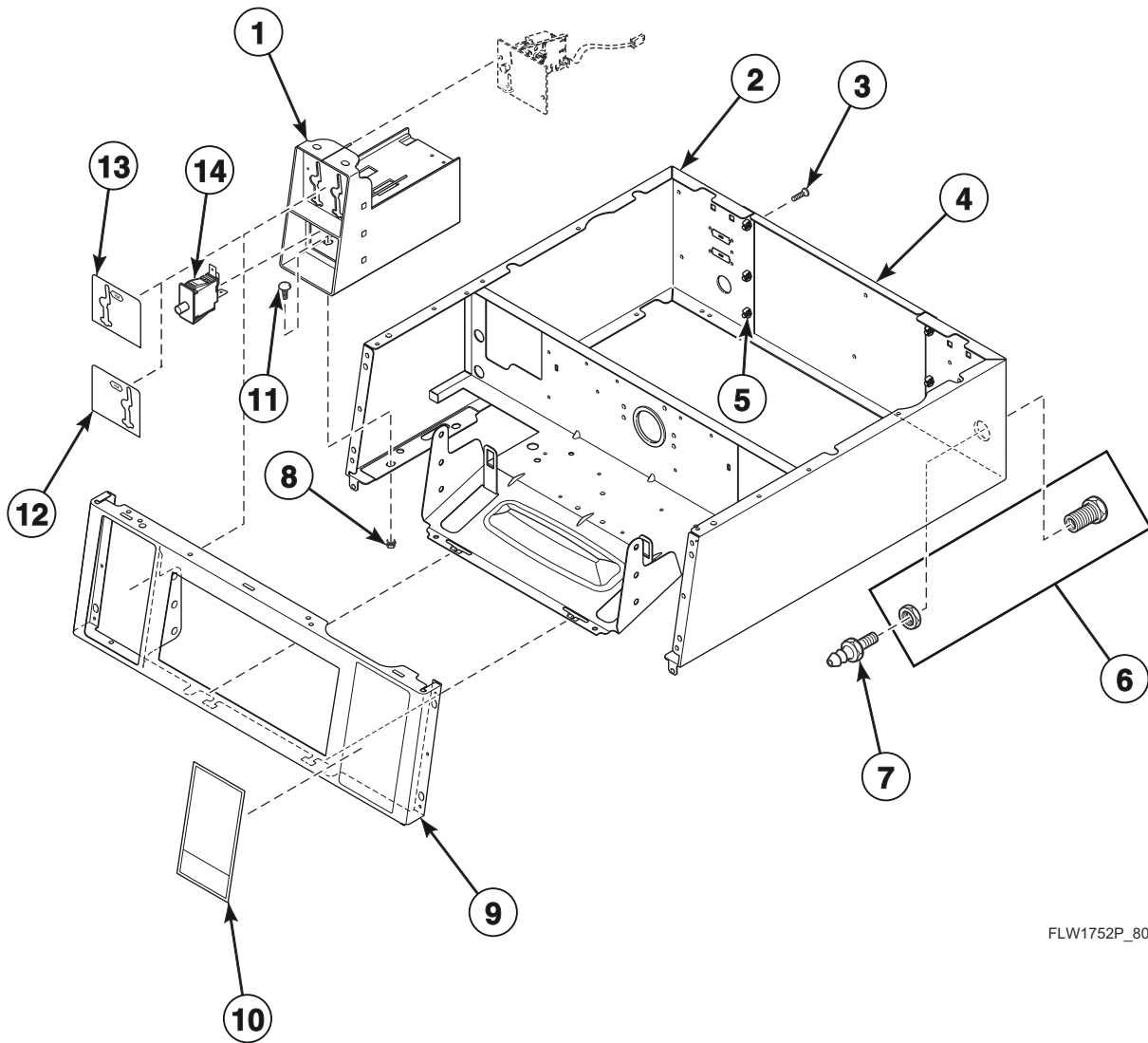
SWD1288P_805863

Network Board Assembly

| REF | PART NO. | DESCRIPTION | COMMENTS |
|-----|-----------|-------------------------------|----------|
| 1 | 44088501P | Network Wire Harness Assembly | |
| 2 | 202335 | Wireless Transceiver Assembly | |
| 3 | 503661 | Screw | |

Control Cabinet Controls - Front Control Coin Drop Models

Models BF3JXASG403UN01, BF3JXASG403UN06, BF3JXASP403UN01, BF3JXASP403UN06, BF3JXASP403UW01, BF3JXASP403UW06, HFNNEASP113CW01, HFNNXASP113CN01, HFNNXASP113CW01, HFNNXASP123DW01, HFNNXASP543DW01, JF3JEASP413EW06, JF3JXASP413EW06, JFNJEASG303EW06, JFNJEASP303EW06, JFNJXASG303EW06, JFNJXASP303EW06, NF3JXASG403UN01, NF3JXASG403UW01, NF3JXASP403NW22, NF3JXASP403UN01, NF3JXASP403UW01, NF3JXASP403UW06, PF3JXASG403UG06, PF3JXASP403UG06, PFNJCASG114TG01, PFNJCASG114TN01, PFNJCASP114TG01, PFNJCASP114TN01, PFNJXASG114TG01, PFNJXASG114TN01, PFNJXASG303UG06, PFNJXASG543ZG01, PFNJXASP114TG01, PFNJXASP303UG06, PFNJXASP304AG01, PFNJXASP543ZG01, SF3JXASP403EW06, SFNNCAJP113TW01, SFNNCASG113TN01, SFNNCASG113TQ01, SFNNCASG113TW01, SFNNCASP113TN01, SFNNCASP113TQ01, SFNNCASP113TW01, SFNNEASP113CW01, SFNNXAJP113CN01, SFNNXASG113JW01, SFNNXASG113TW01, SFNNXASP113CN01, SFNNXASP113CW01, SFNNXASP113TN01, SFNNXASP113TW01, SFNNXASP123DW01, SFNNXASP303AN01, SFNNXASP303AN12, SFNNXASP303AW01, SFNNXASP303AW12, SFNNXASP543DW01, SFNWCASG113TN01, SFNWCASP113TN01 and TF3JXASP403NW22



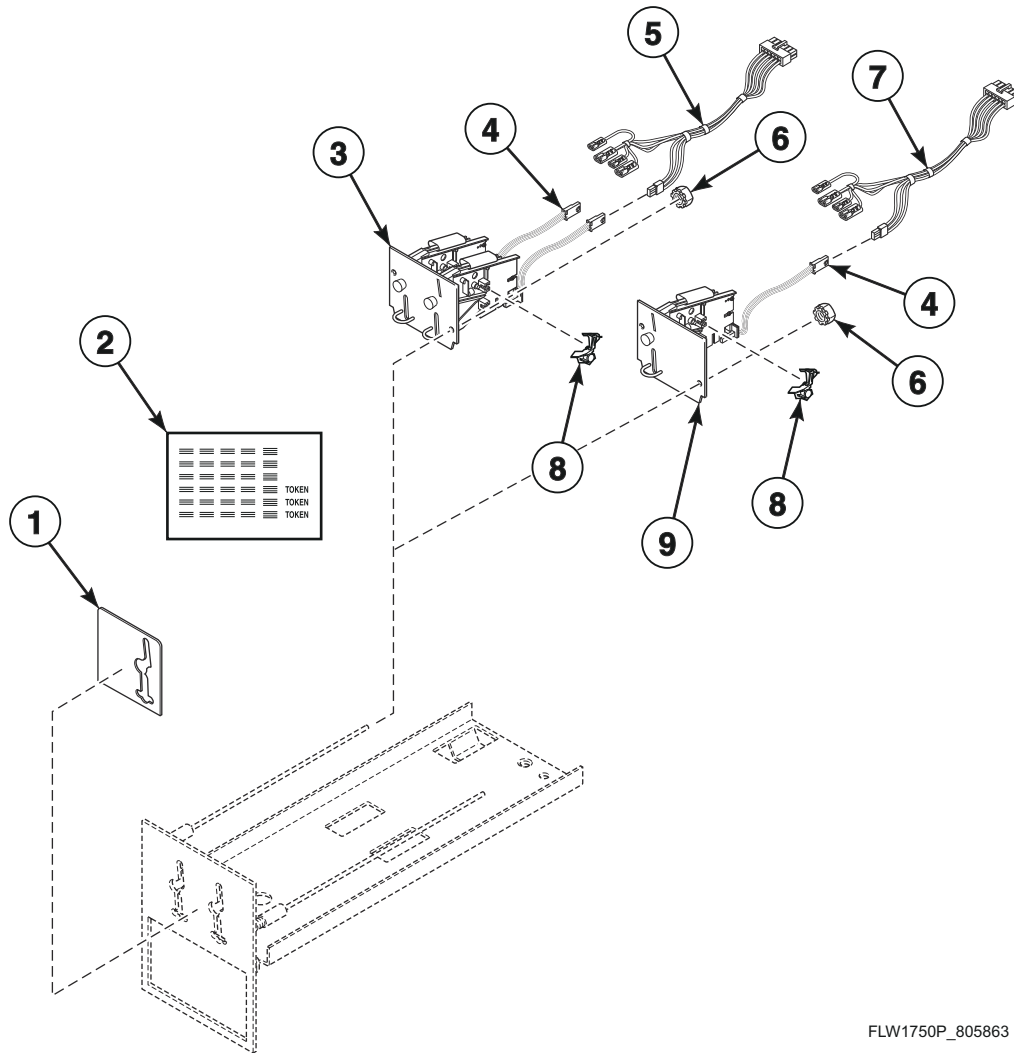
FLW1752P_805863

Control Cabinet Controls - Front Control Coin Drop Models

| REF | PART NO. | DESCRIPTION | COMMENTS | |
|-----|----------|------------------------------|---|------------|
| 1 | 804009B | Meter Case Assembly | Black | |
| | 804009DG | Meter Case Assembly | Dark gray | |
| | 804009W | Meter Case Assembly | White | |
| 2 | 804103W | Wrapper Assembly | White; Model SFNNCAJP113TW01 | |
| | 804103B | Wrapper Assembly | Black; Model SFNNXAJP113CN01 | |
| | 804108W | Wrapper Assembly | White; Models BF3JXASP403UW01, BF3JXASP403UW06, JF3JEASP413EW06, JF3JXASP413EW06, NF3JXASG403UW01, NF3JXASP403NW22, NF3JXASP403UW01, NF3JXASP403UW06, SF3JXASP403EW06 and TF3JXASP403NW22 | |
| | 804108B | Wrapper Assembly | Black; Models BF3JXASG403UN01, BF3JXASG403UN06, BF3JXASP403UN01, BF3JXASP403UN06, NF3JXASG403UN01 and NF3JXASP403UN01 | |
| | 804108DG | Wrapper Assembly | Dark gray; Models PF3JXASG403UG06 and PF3JXASP403UG06 | |
| | 804104B | Wrapper Assembly | Black; All other models | |
| | 804104DG | Wrapper Assembly | Dark gray; All other models | |
| | 804104W | Wrapper Assembly | White; All other models | |
| | 3 | 70240301 | Screw | 6 required |
| | 4 | 803998 | Rear Access Panel | |
| 5 | 70030501 | Expansion Clip | 6 required | |
| 6 | 801788 | Union | Models SFNNCAJP113TW01 and SFNNXAJP113CN01 | |
| 7 | 801789 | Connector | Models SFNNCAJP113TW01 and SFNNXAJP113CN01 | |
| 8 | 44087201 | Nut | | |
| 9 | 803962BP | Control Panel | Black | |
| | 803962DG | Control Panel | Dark gray | |
| | 803962WP | Control Panel | White | |
| 10 | 806194 | Operating Instruction Label | Models PFNJCASG114TG01, PFNJCASG114TN01, PFNJCASP114TG01, PFNJCASP114TN01, PFNJJXASG114TG01, PFNJJXASG114TN01, PFNJJXASP114TG01 and PFNJJXASP304AG01 | |
| | 514681 | Nameplate Overlay | Models JF3JEASP413EW06, JF3JXASP413EW06, JFNJEASG303EW06, JFNJEASP303EW06, JFNJJXASG303EW06 and JFNJJXASP303EW06 | |
| | 805829 | Operating Instructions Label | Models PFNJJXASG303UG06, PFNJJXASG543ZG01, PFNJJXASP303UG06 and PFNJJXASP543ZG01 | |
| | 804846 | Operating Instruction Label | Icon; All other models | |
| | 804327 | Operating Instruction Label | English; All other models | |
| 11 | 29651 | Bolt | | |
| 12 | 38717 | Single Overlay | \$0.25 | |
| | 803476 | Single Drop Overlay | Models JF3JEASP413EW06, JF3JXASP413EW06, JFNJEASG303EW06, JFNJEASP303EW06, JFNJJXASG303EW06 and JFNJJXASP303EW06 | |
| 13 | 201091 | Overlay | For electronic coin drops | |
| 14 | 512973 | Switch | | |

Non-Electronic Coin Drop, Cabinet Front and Wrapper Assembly

Coin Models



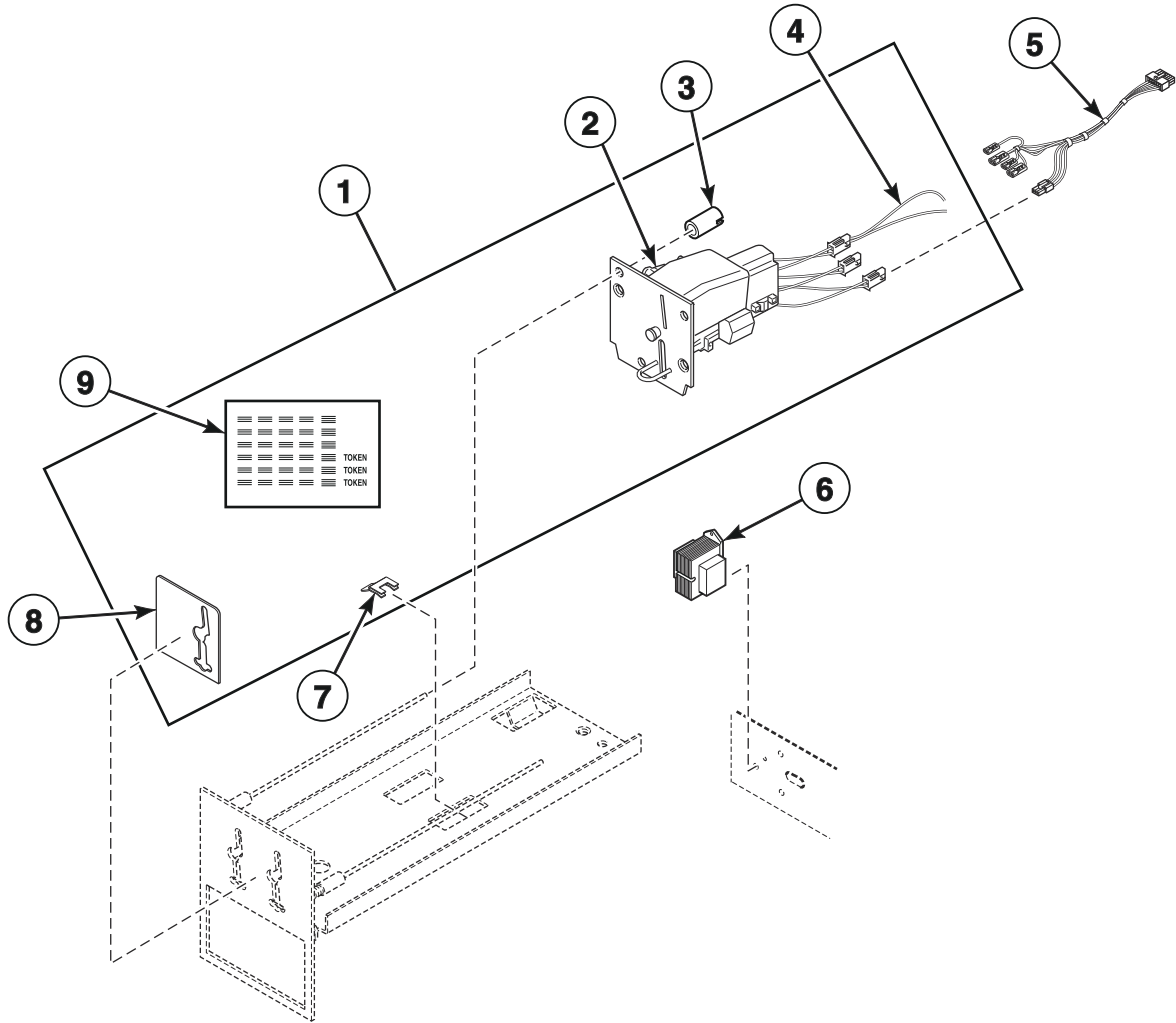
FLW1750P_805863

Non-Electronic Coin Drop, Cabinet Front and Wrapper Assembly

| REF | PART NO. | DESCRIPTION | COMMENTS |
|-----|-----------|------------------------------|---|
| 1 | 38717 | Single Overlay | |
| 2 | 38725 | Coin Identification Paper | |
| 3 | 70441602 | Coin Drop Assembly | Canada; .25 and 1.00 |
| | 70441603 | Coin Drop | U.S.A.; \$.25 and \$1.00 |
| | 70482401 | Coin Drop Assembly | New Zealand; 1.00 and 2.00 |
| | 38467 | Coin Drop Assembly | Australia; .20 and 1.00 |
| | 38472 | Coin Drop Assembly | England; 20 pence and 1 pound |
| | 38519 | Coin Drop Assembly | Japan; 100 yen and 500 yen |
| | 38521 | Coin Drop Assembly | Korea; 100 won and 500 won |
| 4 | 200674P | Opto Coupler | |
| 5 | 202871 | Dual Coin Harness Assembly | |
| 6 | 29786 | Nut | |
| 7 | 202870 | Single Coin Harness Assembly | |
| 8 | 201595P | Wire Guard | Anti-stringing security device |
| 9 | 70441601P | Coin Drop | U.S.A.; \$.25 |
| | 38464P | Coin Drop Assembly | Canada; .25 |
| | CK114 | Coin Drop Assembly | Singapore; Old 1.00 |
| | CK123 | Coin Drop Assembly | Singapore; New 1.00 |
| | 38462P | Coin Drop Assembly | Token; STD-118-1 |
| | 38463 | Coin Drop Assembly | Token; STD-118-5 |
| | 38963P | Coin Drop | Token 118-16 not available. Replacement for 38963P Coin Drop only |

Electronic Coin Drop

Coin Models



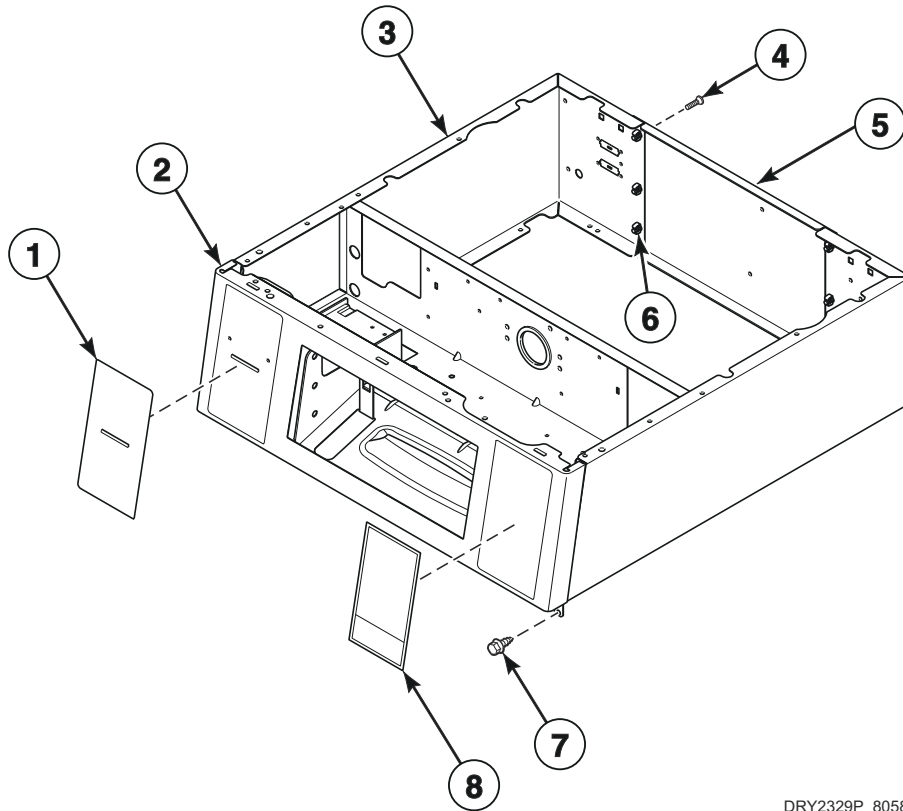
FLW1005P_805863

Electronic Coin Drop

| REF | PART NO. | DESCRIPTION | COMMENTS |
|----------|-------------------------------|-------------------------------|---|
| 1 | CK099 | Electronic Coin Drop Kit | Includes items 2-4 and 7-9; Australia, New Zealand, Hong Kong, South Korea and Malaysia coins |
| | CK100 | Electronic Coin Drop Kit | Includes items 2-4 and 7-9; Euro and Great Britain coins |
| | CK101 | Electronic Coin Drop Kit | Includes items 2-4 and 7-9; Euro, Denmark and Norway coins |
| | CK103 | Electronic Coin Drop Kit | Includes items 2-4 and 7-9; Euro, Lithuania and Latvia coins |
| | CK106 | Electronic Coin Drop Kit | Includes items 2-4 and 7-9; Malaysia, China, Russia and Singapore coins |
| | CK108 | Electronic Coin Drop Kit | Includes items 2-4 and 7-9; South African 1, 2 and 5 rand coins |
| | CK109 | Electronic Coin Drop Kit | Includes items 2-4 and 7-9; Euro coins |
| | CK110 | Electronic Coin Drop Kit | Includes items 2-4 and 7-9; Mexico, Ecuador and United States coins |
| | CK113 | Electronic Coin Drop Kit | Includes items 2-4 and 7-9; Japan and Taiwan coins |
| | CK115 | Electronic Coin Drop Kit | Includes items 2-4 and 7-9; United States and Canada coins |
| | CK120 | Electronic Coin Drop Kit | Includes items 2-4 and 7-9; Chile coins |
| | CK121 | Electronic Coin Drop Kit | Includes items 2-4 and 7-9; Singapore coins |
| 2 | 70294105P | Electronic Coin Drop Assembly | Australia, New Zealand, Hong Kong, South Korea and Malaysia coins |
| | 70294123 | Electronic Coin Drop Assembly | Euro and Great Britain coins |
| | 70294104 | Electronic Coin Drop Assembly | Euro, Denmark and Norway coins |
| | 70294107 | Electronic Coin Drop Assembly | Euro, Lithuania and Latvia coins |
| | 70294109 | Electronic Coin Drop Assembly | Malaysia, China, Russia and Singapore coins |
| | 70294110 | Electronic Coin Drop Assembly | South African 1, 2 and 5 rand coins |
| | 70294111 | Electronic Coin Drop Assembly | Euro coins |
| | 70294106 | Electronic Coin Drop Assembly | Mexico, Ecuador and United States coins |
| | 70294122 | Electronic Coin Drop Assembly | Great Britain and token coins |
| | 70294120 | Electronic Coin Drop Assembly | Chile coins |
| 70294121 | Electronic Coin Drop Assembly | Singapore coins | |
| 3 | 201216 | Nut | |
| | 29786 | Nut | Use on front control models with no guide rods |
| 4 | 201104 | Coin Drop Wire Harness | |
| 5 | 802905 | Harness Assembly | Electronic coin drop requires this harness. If unit is not factory-equipped with this harness, it must be ordered separately. |
| 6 | 201375P | Transformer | Electronic coin drop requires this transformer. If unit is not factory-equipped with this transformer, it must be ordered separately. |
| 7 | 201572 | Clip | |
| 8 | 201091 | Overlay | |
| 9 | 38725 | Coin Identification Paper | |

Control Cabinet Controls - Front Control Card Reader Ready and OPL Models

Models HFNNYASP113CW01, JF3JGASP413EW06, JF3JMASG413EN06, NF3JYASG403UW01, SFNNYAJP113TW01,
SFNNYASG113TN01, SFNNYASG113TW01, SFNNYASP113CW01, SFNNYASP113TN01, SFNNYASP113TW01,
SFNWWYASG113TN01, SFNWWYASP113TN01 and SFNWWYASP113TW01



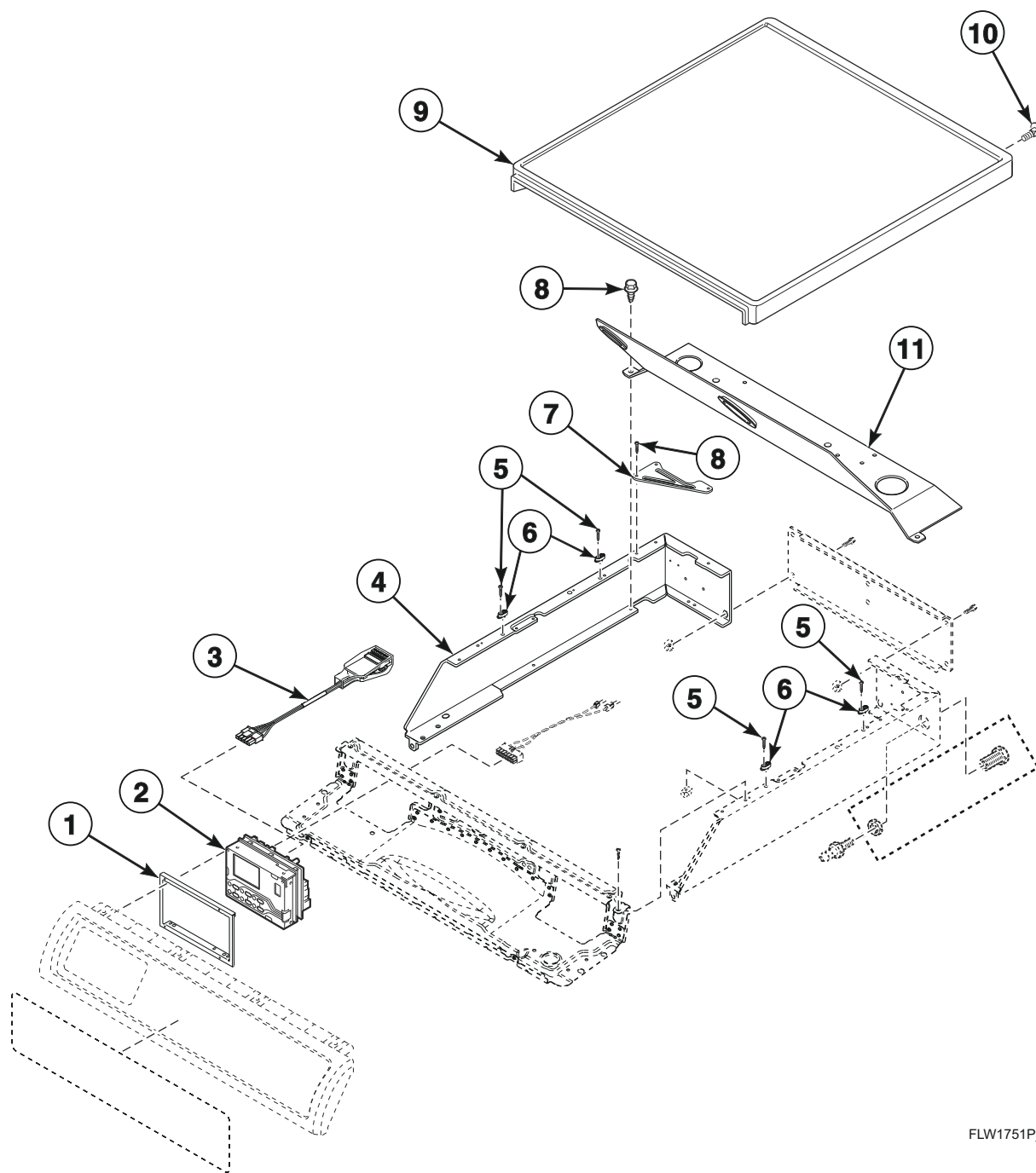
DRY2329P_805863

Control Cabinet Controls - Front Control Card Reader Ready and OPL Models

| REF | PART NO. | DESCRIPTION | COMMENTS |
|-----|----------|-----------------------------|---|
| 1 | 514873 | Overlay | Gray; Model HFNNYASP113CW01 |
| | 514874 | Overlay | Model NF3JYASG403UW01 |
| | 514391 | Card Insert Overlay | All models except HFNNYASP113CW01, JF3JGASP413EW06, JF3JMASG413EN06 and NF3JYASG403UW01 |
| 2 | 803970B | Control Panel | Black; Models JF3JGASP413EW06 and JF3JMASG413EN06 |
| | 804149WP | Security Cabinet Assembly | White; All other models |
| | 804149B | Security Cabinet Assembly | Black; All other models |
| 3 | 804108W | Wrapper Assembly | White; Models JF3JGASP413EW06 and JF3JMASG413EN06 |
| | 804112W | Wrapper Assembly | White; All other models |
| | 804108B | Wrapper Assembly | Black; Models JF3JGASP413EW06 and JF3JMASG413EN06 |
| | 804112B | Wrapper Assembly | Black; All other models |
| 4 | 70240301 | Screw | 6 required |
| 5 | 803998 | Rear Access Panel | |
| 6 | 70030501 | Expansion Clip | 6 required |
| 7 | 503688 | Screw | |
| 8 | 806017 | Overlay | Models JF3JGASP413EW06 and JF3JMASG413EN06 |
| | 804327 | Operating Instruction Label | All other models |

Control Cabinet - 45 Degree Front Control Models (Drawing 1 of 2)

Models BF3JGBJG403UN01, BF3JGBJG403UN06, BF3JGBJG403UW01, BF3JGBJG403UW06, BF3JGBJP403UN01, BF3JGBJP403UN06, BF3JGBJP403UW01, BF3JGBJP403UW06, BF3JGBSG403UN01, BF3JGBSG403UN06, BF3JGBSG403UW01, BF3JGBSG403UW06, BF3JGBSP403UN01, BF3JGBSP403UN06, BF3JGBSP403UW01, BF3JGBSP403UW06, BF3JLBSG403UN01, BF3JLBSG403UN06, BF3JLBSG403UW01, BF3JLBSG403UW06, BF3JLBSP403UN01, BF3JLBSP403UN06, BF3JLBSP403UW01, BF3JLBSP403UW06, HFNNYBSP113CW01, JF3JGBSP413EW06, JF3JMBSG413EN06, NF3JGBSP403SW01, NF3JLBSG403UN01, NF3JLBSG403UT01, NF3JLBSG403UT06, NF3JLBSP403NN22, NF3JLBSP403NW22, NF3JLBSP403UN01, NF3JLBSP403UT01, NF3JLBSP403UT06, NF3JLBSP403UW01, PF3JGBJG403UG06, PF3JGBJP403UG06, PF3JGBSG403UG06, PF3JGBSP403UG06, SFNNYBSP113TN01 and SFNNYBSP113TW01



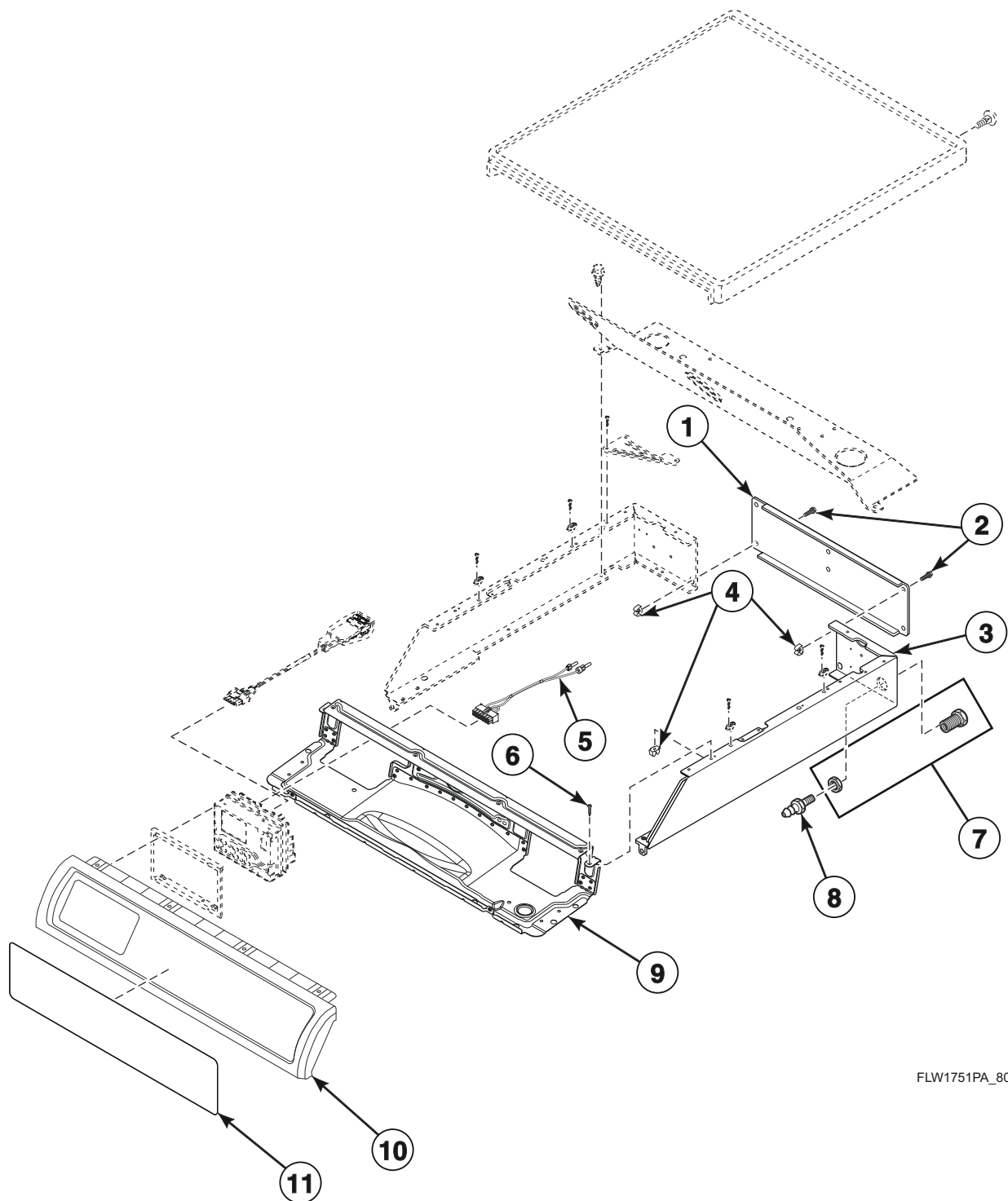
FLW1751P_805863

Control Cabinet - 45 Degree Front Control Models (Drawing 1 of 2)

| REF | PART NO. | DESCRIPTION | COMMENTS |
|-----|----------|-----------------------------|--|
| | 36226 | Bumper Pad | 4 required |
| 1 | 804612 | Control Bracket | |
| 2 | 804472P | Control Assembly | Red LEDs; Models BF3JGBJG403UN01, BF3JGBJG403UN06, BF3JGBJG403UW01, BF3JGBJG403UW06, BF3JGBJP403UN01, BF3JGBJP403UN06, BF3JGBJP403UW01, BF3JGBJP403UW06, BF3JGBSG403UN01, BF3JGBSG403UN06, BF3JGBSG403UW01, BF3JGBSG403UW06, BF3JGBSP403UN01, BF3JGBSP403UN06, BF3JGBSP403UW01, BF3JGBSP403UW06, BF3JLBSG403UN01, BF3JLBSG403UN06, BF3JLBSG403UW01, BF3JLBSG403UW06, BF3JLBSP403UN01, BF3JLBSP403UN06, BF3JLBSP403UW01 and BF3JLBSP403UW06 |
| | 806041P | Control Assembly | Blue LEDs; Models PF3JGBJG403UG06, PF3JGBJP403UG06, PF3JGBSG403UG06 and PF3JGBSP403UG06 |
| | 804471P | Control Assembly | Green LEDs; All other models |
| 3 | 203361P | Machine ID Control Assembly | Model or serial number is required when ordering |
| 4 | 804627W | Control Wrapper | Left; Models HFNNYBSP113CW01 and SFNNYBSP113TW01 |
| | 804627B | Control Wrapper | Left; Model SFNNYBSP113TN01 |
| | 804628W | Control Wrapper | White; Left; All other models |
| | 804628B | Control Wrapper | Black; Left; All other models |
| | 804628DG | Control Wrapper | Dark gray; Left; All other models |
| 5 | 39733 | Screw | 4 required |
| 6 | 803761 | Top Panel Guide | 4 required |
| 7 | 805345 | Rear Wrapper Brace | 2 required |
| 8 | 503688 | Screw | 6 required |
| 9 | 804684 | Top Panel | Stainless steel |
| | 804685WP | Top Panel | White |
| | 804685DG | Top Panel | Dark gray |
| 10 | 29651 | Bolt | |
| 11 | 804363 | Control Shield | |

Control Cabinet - 45 Degree Front Control Models (Drawing 2 of 2)

Models BF3JGBJG403UN01, BF3JGBJG403UN06, BF3JGBJG403UW01, BF3JGBJG403UW06, BF3JGBJP403UN01, BF3JGBJP403UN06, BF3JGBJP403UW01, BF3JGBJP403UW06, BF3JGBSG403UN01, BF3JGBSG403UN06, BF3JGBSG403UW01, BF3JGBSG403UW06, BF3JGBSP403UN01, BF3JGBSP403UN06, BF3JGBSP403UW01, BF3JGBSP403UW06, BF3JLBSG403UN01, BF3JLBSG403UN06, BF3JLBSG403UW01, BF3JLBSG403UW06, BF3JLBSP403UN01, BF3JLBSP403UN06, BF3JLBSP403UW01, BF3JLBSP403UW06, HFNNYBSP113CW01, JF3JGBSP413EW06, JF3JMBSG413EN06, NF3JGBSP403SW01, NF3JLBSG403UN01, NF3JLBSG403UT01, NF3JLBSG403UT06, NF3JLBSP403NN22, NF3JLBSP403NW22, NF3JLBSP403UN01, NF3JLBSP403UT01, NF3JLBSP403UT06, NF3JLBSP403UW01, PF3JGBJG403UG06, PF3JGBJP403UG06, PF3JGBSG403UG06, PF3JGBSP403UG06, SFNNYBSP113TN01 and SFNNYBSP113TW01



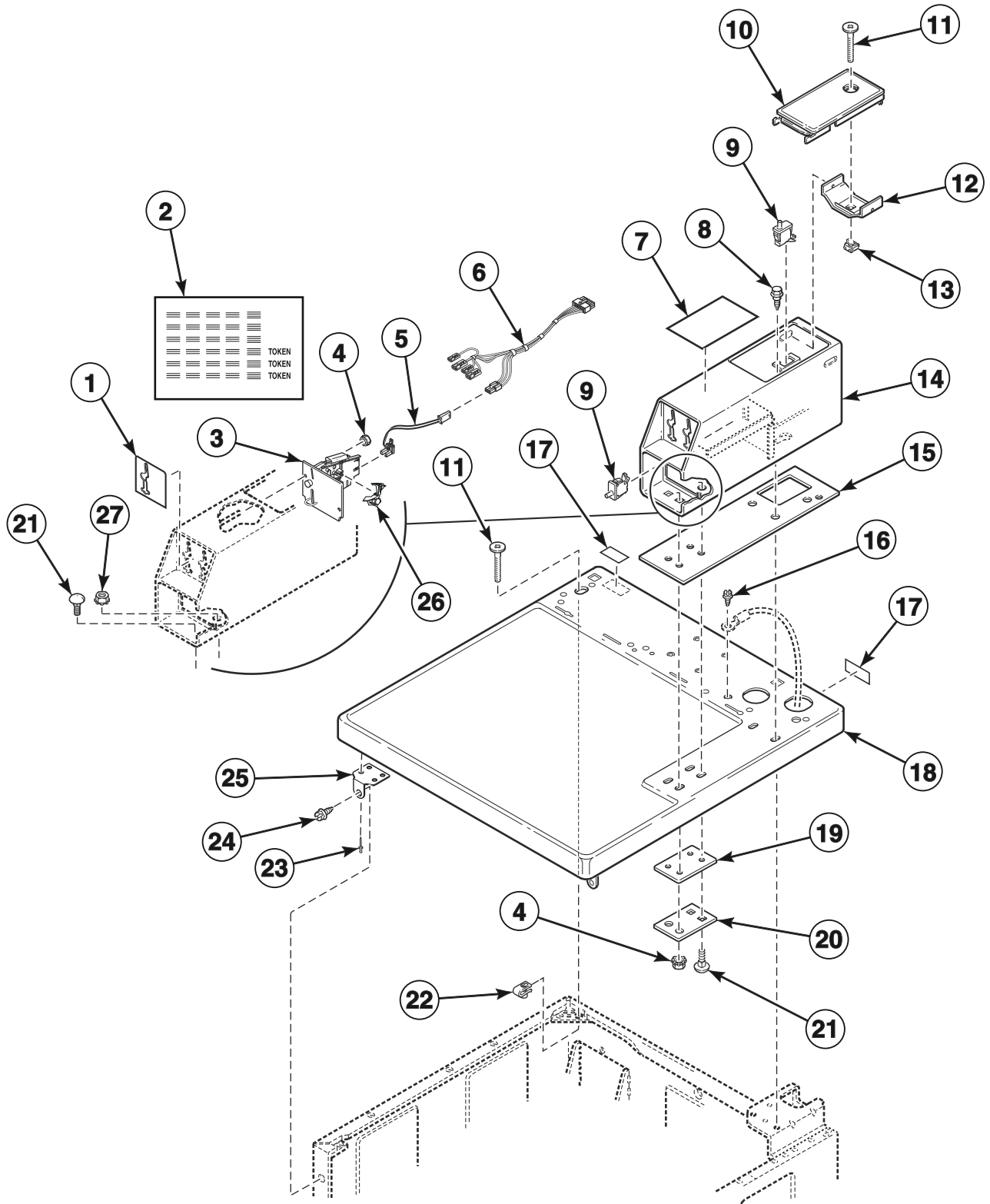
FLW1751PA_805863

Control Cabinet - 45 Degree Front Control Models (Drawing 2 of 2)

| REF | PART NO. | DESCRIPTION | COMMENTS |
|-----|----------|--------------------------|--|
| | 36226 | Bumper Pad | 4 required |
| 1 | 804614 | Rear Access Panel | |
| 2 | 503688 | Screw | |
| 3 | 804629DG | Control Wrapper | Dark gray; Right; Models PF3JGBJG403UG06 and PF3JGBJP403UG06 |
| | 804629W | Control Wrapper | White; Right; Models BF3JGBJG403UW01, BF3JGBJG403UW06, BF3JGBJP403UW01 and BF3JGBJP403UW06 |
| | 804629B | Control Wrapper | Black; Right; Models BF3JGBJG403UN01, BF3JGBJG403UN06, BF3JGBJP403UN01 and BF3JGBJP403UN06 |
| | 804630W | Control Wrapper | White; Right; All other models |
| | 804630B | Control Wrapper | Black; Right; All other models |
| | 804630DG | Control Wrapper | Dark gray; Right; All other models |
| 4 | 70030501 | Expansion Clip | |
| 5 | 202869 | Wiring Harness Assembly | Diagnostic |
| 6 | 804667 | Screw | |
| 7 | 801788 | Union | Models BF3JGBJG403UN01, BF3JGBJG403UN06, BF3JGBJG403UW01, BF3JGBJG403UW06, BF3JGBJP403UN01, BF3JGBJP403UN06, BF3JGBJP403UW01, BF3JGBJP403UW06, PF3JGBJG403UG06 and PF3JGBJP403UG06 |
| 8 | 801789 | Connector | Models BF3JGBJG403UN01, BF3JGBJG403UN06, BF3JGBJG403UW01, BF3JGBJG403UW06, BF3JGBJP403UN01, BF3JGBJP403UN06, BF3JGBJP403UW01, BF3JGBJP403UW06, PF3JGBJG403UG06 and PF3JGBJP403UG06 |
| 9 | 804613 | Top Panel Brace Assembly | |
| 10 | 804963 | Control Panel Assembly | Black |
| | 804962 | Control Panel Assembly | White |
| | 805008 | Control Panel Assembly | Dark gray |
| 11 | 805375 | Control Overlay | Models BF3JGBJG403UN01, BF3JGBJG403UN06, BF3JGBJG403UW01, BF3JGBJG403UW06, BF3JGBJP403UN01, BF3JGBJP403UN06, BF3JGBJP403UW01, BF3JGBJP403UW06, BF3JGBSG403UN01, BF3JGBSG403UN06, BF3JGBSG403UW01, BF3JGBSG403UW06, BF3JGBSP403UN01, BF3JGBSP403UN06, BF3JGBSP403UW01, BF3JGBSP403UW06, BF3JLBSG403UN01, BF3JLBSG403UN06, BF3JLBSG403UW01, BF3JLBSG403UW06, BF3JLBSP403UN01, BF3JLBSP403UN06, BF3JLBSP403UW01 and BF3JLBSP403UW06 |
| | 805376 | Control Overlay | Models NF3JGBSP403SW01, NF3JLBSG403UN01, NF3JLBSG403UT01, NF3JLBSG403UT06, NF3JLBSP403NN22, NF3JLBSP403NW22, NF3JLBSP403UN01, NF3JLBSP403UT01, NF3JLBSP403UT06 and NF3JLBSP403UW01 |
| | 805379 | Control Overlay | Model JF3JMBSG413EN06 |
| | 805768 | Control Overlay | Models PF3JGBJG403UG06, PF3JGBJP403UG06, PF3JGBSG403UG06 and PF3JGBSP403UG06 |
| | 805675 | Control Overlay | Models SFNNYBSP113TN01 and SFNNYBSP113TW01 |
| | 805378 | Control Overlay | Model JF3JGBSP413EW06 |
| | 806042 | Control Overlay | Model HFNNYBSP113CW01 |

Coin Drop, Meter Case and Cabinet Top

Models HFNNRSP113CW01, HFNNXRSP113CW01, SFNNCRSP113TW01, SFNNCRSP113TW02, SFNNRSP113CW02, SFNNXRSP113CW02, SFNNXRSP113TW02 and SFNNXRSP543NW23



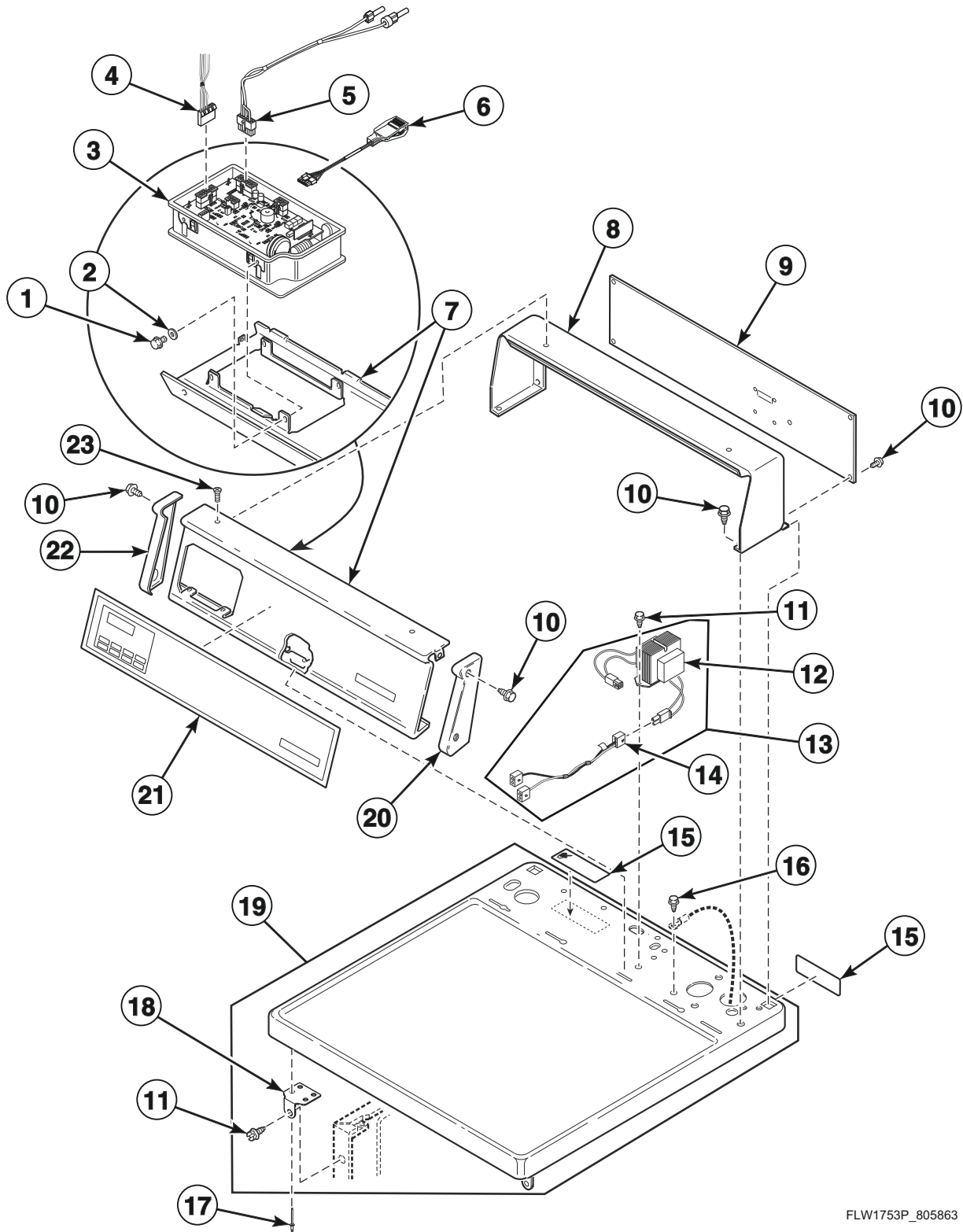
FLW980P_805863

Coin Drop, Meter Case and Cabinet Top

| REF | PART NO. | DESCRIPTION | COMMENTS |
|-----|-----------|--|--|
| 1 | 201091 | Overlay | Models HFNNERSP113CW01 and SFNNERSP113CW02 |
| | 38717 | Single Overlay | All other models |
| 2 | 38725 | Coin Identification Paper | |
| 3 | 70441601P | Coin Drop | U.S.A.; \$.25 |
| | 70441602 | Coin Drop Assembly | Canada; .25 and 1.00 |
| 4 | 29786 | Nut | |
| 5 | 200674P | Opto Coupler | |
| 6 | 202870 | Single Coin Harness Assembly | |
| | 202871 | Dual Coin Harness Assembly | |
| 7 | 805830 | Rear Control Operating Instruction Label | |
| 8 | 36048 | Screw | |
| 9 | 512973 | Switch | |
| 10 | 39874WP | Service Door Assembly | |
| 11 | 503673 | Screw | |
| 12 | 30642 | Meter Case Locking Bracket | |
| 13 | 30647 | Nut | |
| 14 | 803063WP | Meter Case Assembly Kit | Models SFNNCRSP113TW02, SFNNERSP113CW02, SFNNXRSP113CW02 and SFNNXRSP113TW02 |
| | 803578P | Coin Box Extension Kit | Use with 803063W Meter Case Assembly to extend shorter 7 inch coin boxes; Models SFNNCRSP113TW02, SFNNERSP113CW02, SFNNXRSP113CW02 and SFNNXRSP113TW02 |
| | 802505W | Meter Case Assembly | Model HFNNERSP113CW01 |
| | 38724W | Meter Case Assembly | All other models |
| 15 | 26354 | Meter Case Gasket | |
| 16 | 20530 | Screw | |
| 17 | 505281 | Disconnect Power Warning Label | English |
| | 500316 | Warning Label | English/French |
| 18 | 511527WP | Top Kit | |
| 19 | 35526 | Meter Case Bracket Gasket | |
| 20 | 35525 | Meter Case Lockdown Bracket | |
| 21 | 02505 | Bolt | |
| 22 | 27222 | Nut | |
| 23 | 70058501 | Pop Rivet | |
| 24 | 503661 | Screw | |
| 25 | 510146 | Bracket | |
| 26 | 201595P | Wire Guard | Anti-stringing security device |
| 27 | 802337 | Nut | |

Control Panel, Control Hood and Controls (Drawing 1 of 2)

Models HFNNYRSP113CW01, SFNNYRSP113TW01 and SFNWYRSP113TW01



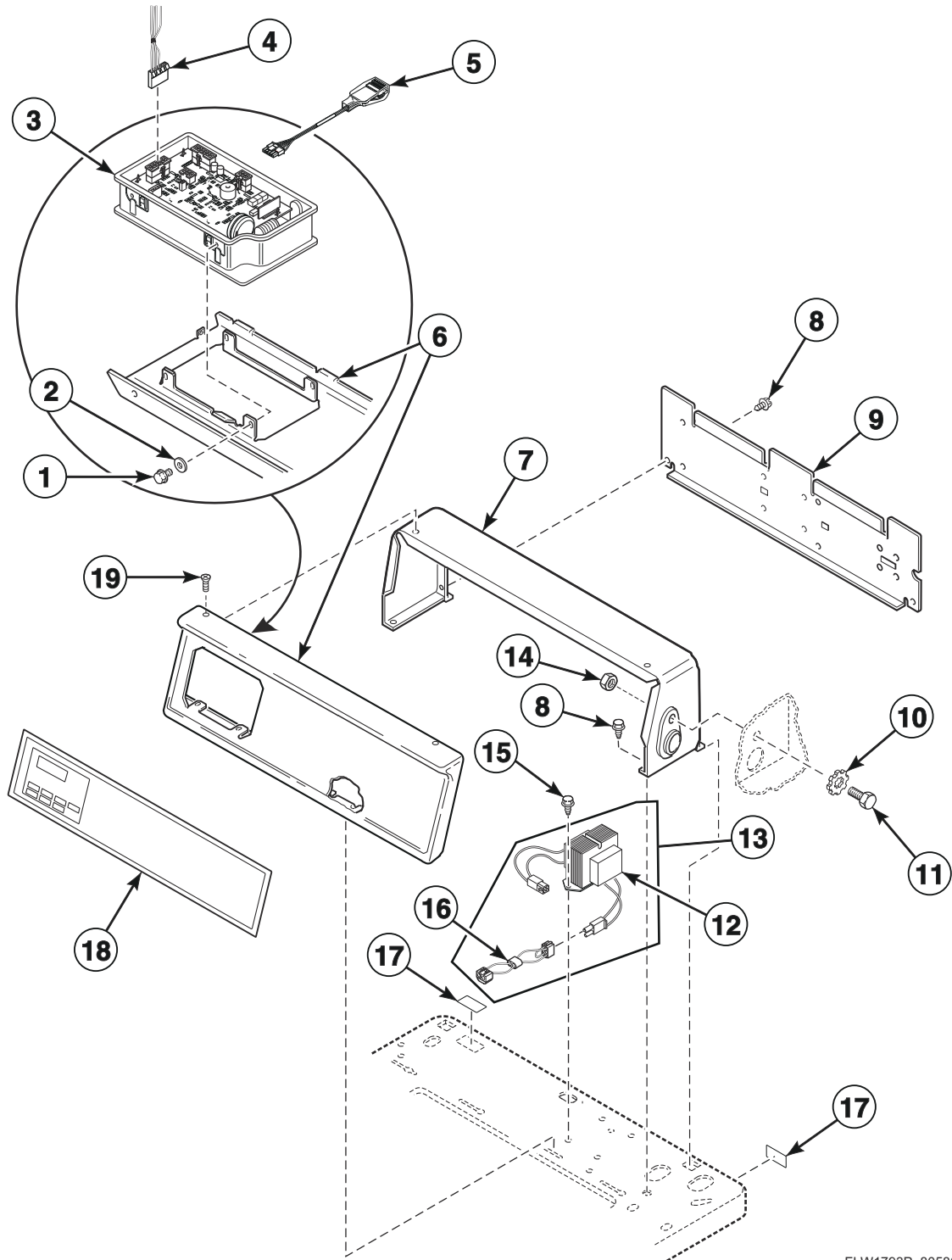
FLW1753P_805863

Control Panel, Control Hood and Controls (Drawing 1 of 2)

| REF | PART NO. | DESCRIPTION | COMMENTS |
|-----------|----------|---------------------------------|--|
| | 203327 | Wireless Network Kit | |
| | 203328 | Network Retrofit Kit | Wired |
| | 203346 | USB IR Interface Kit | |
| | NK220 | Network Controller Kit | Wired |
| | NK320 | Ethernet Gateway Kit | Wireless |
| | NK330 | USB Gateway Kit | Wireless |
| 1 | 501524 | Screw | |
| 2 | 200608 | Washer | |
| 3 | 804471P | Control Assembly | |
| 4 | 805427 | Central Pay Harness | |
| 5 | 202869 | Wiring Harness Assembly | Diagnostic |
| 6 | 203361P | Machine ID Control Assembly | Model or serial number is required when ordering |
| 7 | 805512W | Control Panel and Stud Assembly | Model SFNWYRSP113TW01 |
| | 800710W | Control Panel and Stud Assembly | Models HFNNYRSP113CW01 and SFNNYRSP113TW01 |
| 8 | 511253W | Control Hood | |
| 9 | 511254 | Rear Panel | |
| 10 | 501086 | Screw | |
| 11 | 503661 | Screw | |
| 12 | 202757 | Transformer | |
| 13 | 203423 | Transformer Kit | Includes item 12 and 14 |
| 14 | 804832 | Harness | |
| 15 | 505281 | Disconnect Power Warning Label | Models SFNNYRSP113TW01 and SFNWYRSP113TW01 |
| | 500316 | Warning Label | Model HFNNYRSP113CW01 |
| 16 | 20530 | Screw | |
| 17 | 70058501 | Pop Rivet | |
| 18 | 510146 | Bracket | |
| 19 | 511530WP | Top Panel Kit | Includes items 11 and 17 |
| 20 | 210108W | End Cap | Right |
| 21 | 805370 | Overlay | Models SFNNYRSP113TW01 and SFNWYRSP113TW01 |
| | 805372 | Control Overlay | Model HFNNYRSP113CW01 |
| 22 | 210109W | End Cap | Left |
| 23 | 52864 | Screw | |

Control Panel, Control Hood and Controls (Drawing 2 of 2)

Models HFNNERSP113CW01, HFNNXRSP113CW01, SFNNCRSP113TW01, SFNNCRSP113TW02, SFNNERSP113CW02, SFNNXRSP113CW02, SFNNXRSP113TW02 and SFNNXRSP543NW23



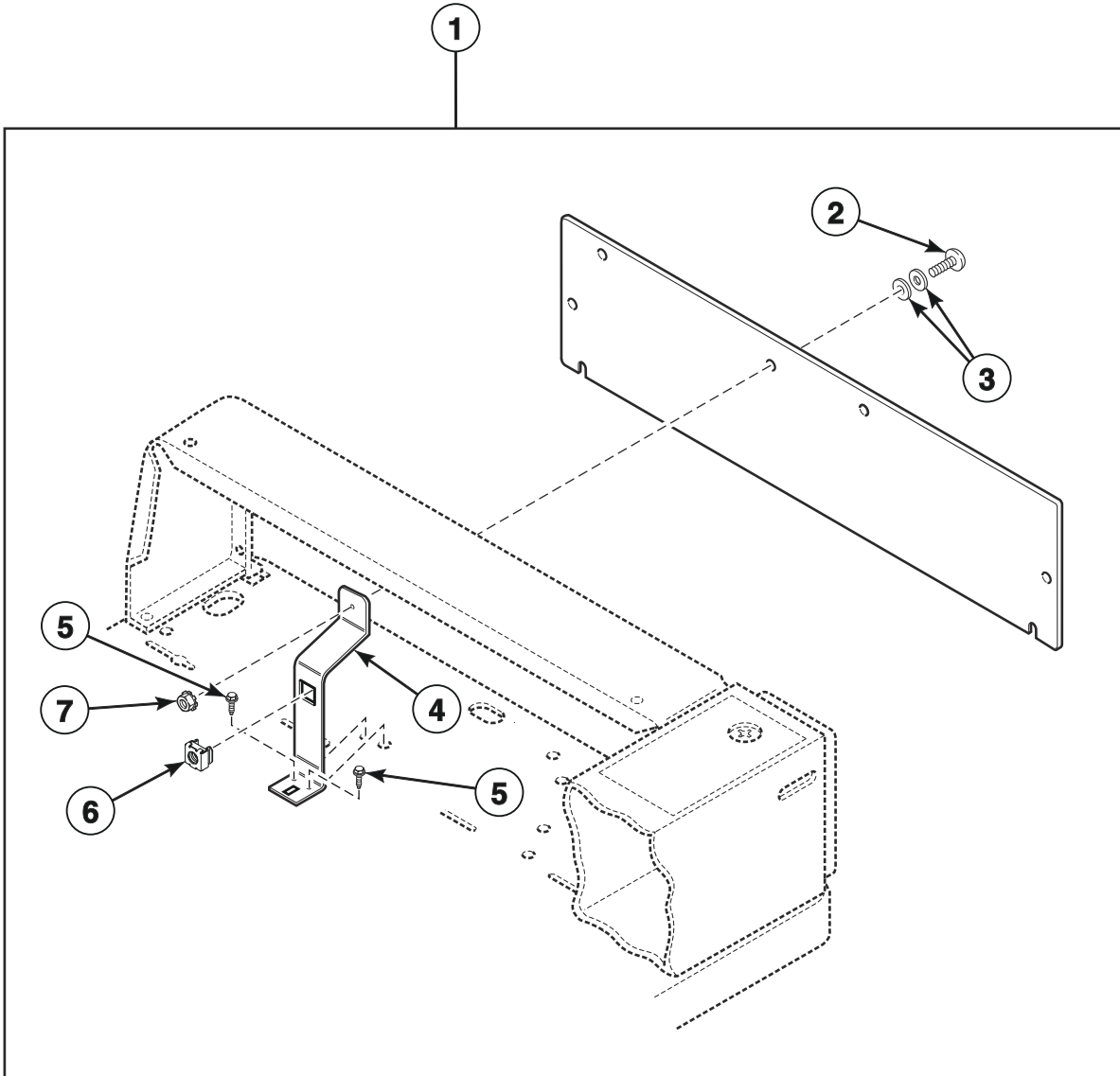
FLW1793P_805863

Control Panel, Control Hood and Controls (Drawing 2 of 2)

| REF | PART NO. | DESCRIPTION | COMMENTS |
|-----------|----------|------------------------------------|--|
| | 203327 | Wireless Network Kit | |
| | 203328 | Network Retrofit Kit | Wired |
| | 203346 | USB IR Interface Kit | |
| | NK220 | Network Controller Kit | Wired |
| | NK320 | Ethernet Gateway Kit | Wireless |
| | NK330 | USB Gateway Kit | Wireless |
| 1 | 501524 | Screw | |
| 2 | 200608 | Washer | |
| 3 | 804471P | Control Assembly | |
| 4 | 805427 | Central Pay Harness | |
| 5 | 203361P | Machine ID Control Assembly | Model or serial number is required when ordering |
| 6 | 800149W | Control Panel and Bracket Assembly | |
| 7 | 502567W | Control Hood | |
| 8 | 501086 | Screw | |
| 9 | 804223 | Hood Back Panel | |
| 10 | M400017 | Washer | |
| 11 | 02916 | Screw | |
| 12 | 202757 | Transformer | 120 Volt |
| | 202758 | Transformer | 240 Volt |
| 13 | 203423 | Transformer Kit | 120 Volt; Includes items 12 and 16 |
| | 203424 | Transformer Kit | 240 Volt; Includes items 12 and 16 |
| 14 | 44087101 | Nut | |
| 15 | 503661 | Screw | |
| 16 | 804832 | Harness | |
| 17 | 505281 | Disconnect Power Warning Label | Models SFNNCRSP113TW01, SFNNCRSP113TW02, SFNNXRSP113TW02 and SFNNXRSP543NW23 |
| | 500316 | Warning Label | Models HFNNERSP113CW01 and HFNNXRSP113CW01 |
| 18 | 804850 | Overlay | Models SFNNCRSP113TW01, SFNNCRSP113TW02, SFNNERSP113CW02, SFNNXRSP113CW02, SFNNXRSP113TW02 and SFNNXRSP543NW23 |
| | 805371 | Control Overlay | Models HFNNERSP113CW01 and HFNNXRSP113CW01 |
| 19 | 52864 | Screw | |

Control Hood Security Kit

Models HFNNERSP113CW01, HFNNXRSP113CW01, SFNNCRSP113TW01, SFNNCRSP113TW02, SFNNERSP113CW02, SFNNXRSP113CW02, SFNNXRSP113TW02 and SFNNXRSP543NW23

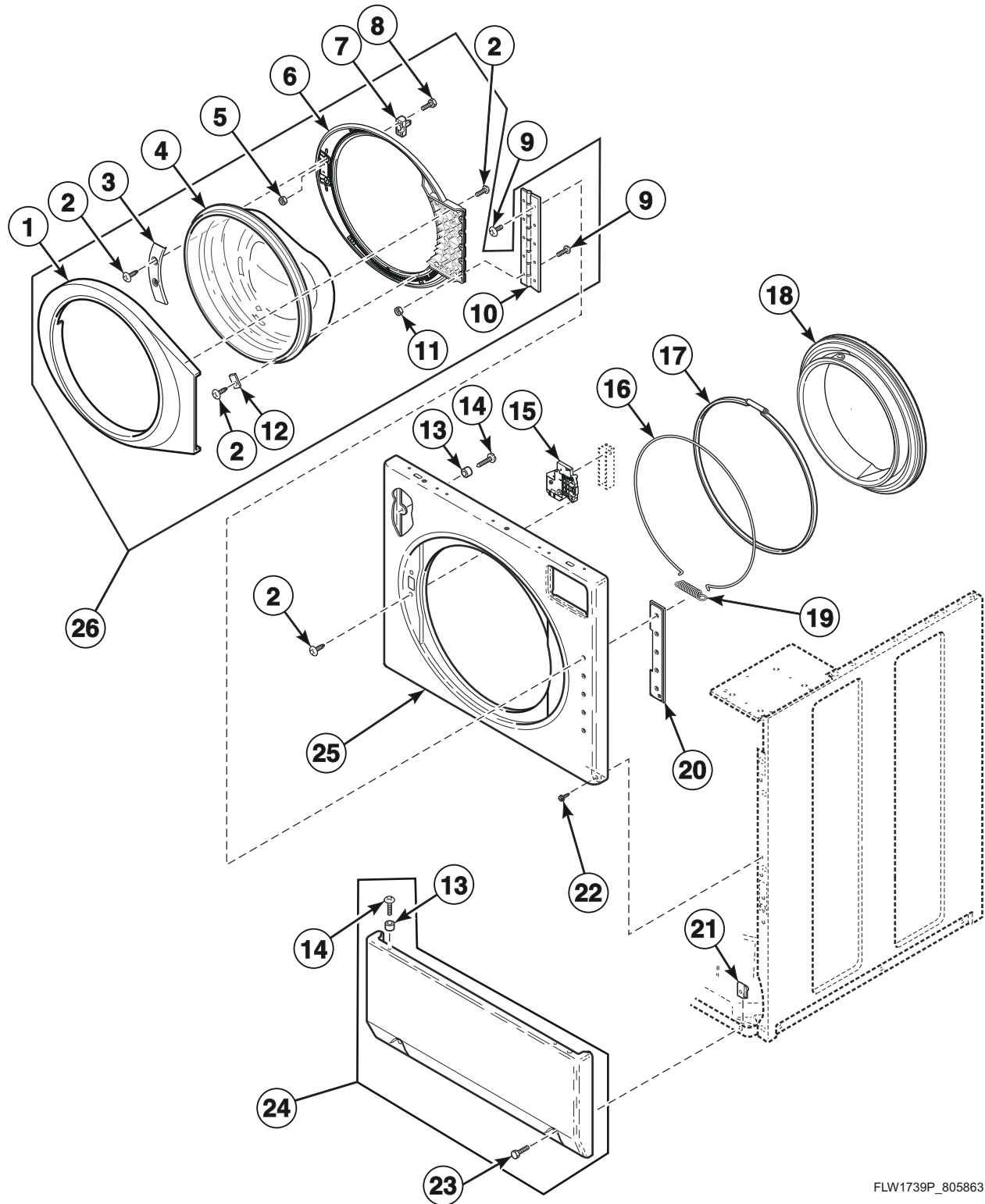


FLW963P_805863

Control Hood Security Kit

| REF | PART NO. | DESCRIPTION | COMMENTS |
|-----|----------|--------------|-----------------------------------|
| 1 | 905P3 | Security Kit | Includes items 2-7 and rear panel |
| 2 | 32184 | Bolt | |
| 3 | 25100 | Washer | |
| 4 | 201918 | Bracket | |
| 5 | 503688 | Screw | |
| 6 | 30647 | Nut | |
| 7 | 23951 | Nut | |

Front Panel, Door Assembly and Door Seal



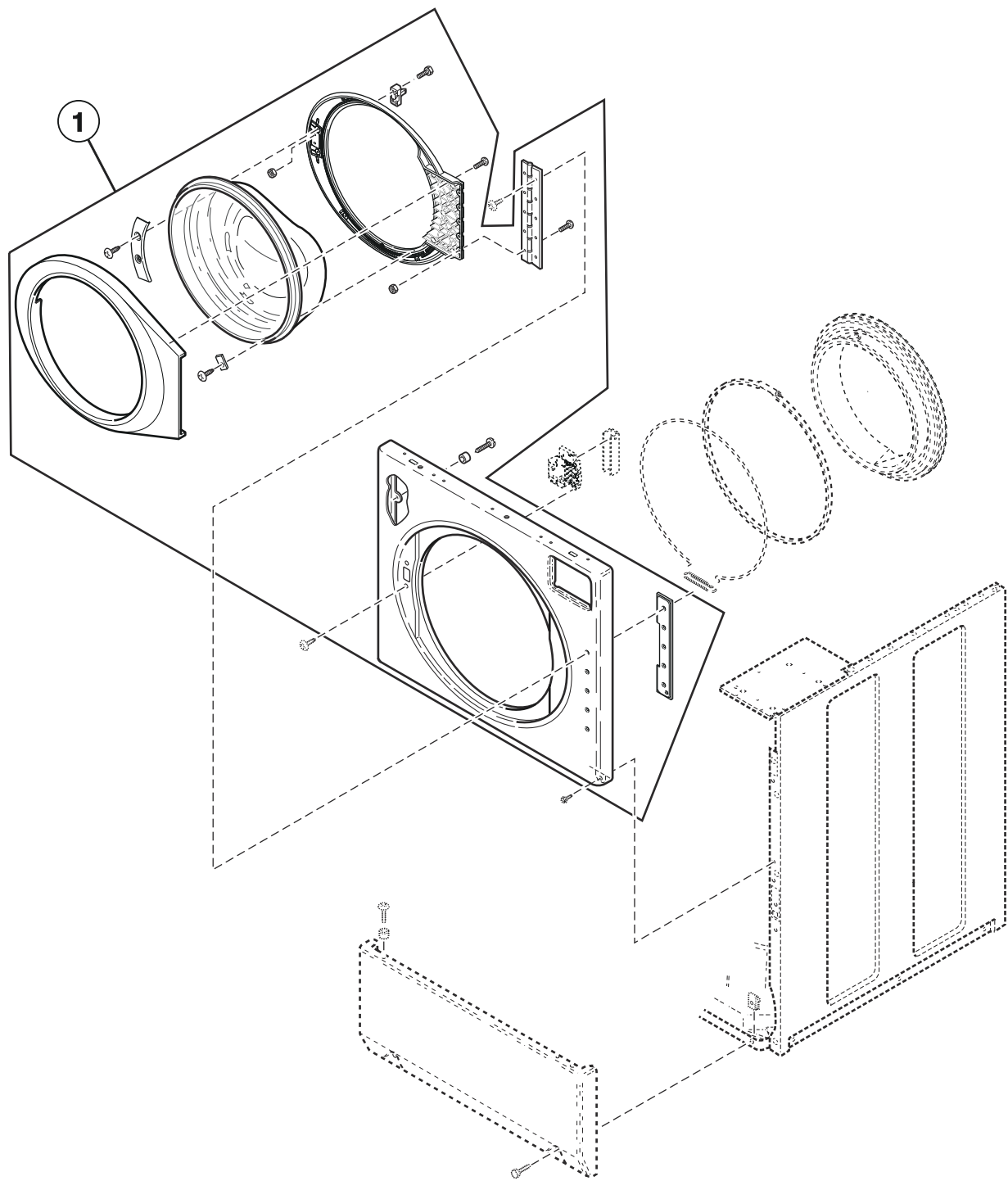
FLW1739P_805863

Front Panel, Door Assembly and Door Seal

| REF | PART NO. | DESCRIPTION | COMMENTS |
|-----|-----------|---------------------------|------------------------------------|
| 1 | 803710WP | Outer Door Bezel | White |
| | 803711P | Outer Door Bezel | Gray |
| | 803710BP | Outer Door Bezel | Black |
| | 803710QP | Outer Door Bezel | Bisque |
| 2 | 800548 | Screw | |
| 3 | 804239 | Door Glass Mounting Plate | |
| 4 | 802695P | Door Glass | |
| 5 | 685846 | Nut | |
| 6 | 802307P | Inner Door Bezel Kit | White |
| | 802331P | Inner Door Bezel Kit | Gray |
| | 804562 | Inner Door Bezel | Glass filled polypropylene upgrade |
| 7 | 802803 | Door Catch Assembly | |
| 8 | 801993 | Screw | |
| 9 | 801019 | Screw | |
| 10 | 802934 | Door Hinge | |
| 11 | 23951 | Nut | |
| 12 | 802700 | Glass Mounting Clip | |
| 13 | 56079 | Panel Locator | |
| 14 | 39733 | Screw | Use with painted panels |
| | 806086 | Screw | Use with stainless steel panels |
| 15 | 803920 | Door Latch Assembly | |
| 16 | 802283 | Wire Clamp Ring | |
| 17 | 802281 | Hose Clamp | |
| 18 | 804428P | Door Seal | Black |
| | 804429P | Door Seal Assembly | Gray |
| 19 | 802285 | Extension Spring | |
| 20 | 802206 | Hinge Plate | |
| 21 | 36020 | Nut | |
| 22 | 503661 | Screw | |
| 23 | 801045 | Screw | |
| 24 | 804617W | Access Panel Assembly | White |
| | 804617Q | Access Panel Assembly | Bisque |
| | 804618 | Access Panel Assembly | Stainless steel |
| | 804617DGP | Access Panel Assembly | Dark gray |
| 25 | 802277WP | Front Panel | White |
| | 802277QP | Front Panel | Bisque |
| | 802277DG | Front Panel | Dark gray |
| | 802288P | Front Panel | Stainless steel |
| 26 | 804083WP | Door Assembly | White; Includes items 1-7, 9-12 |
| | 804083QP | Door Assembly | Bisque; Includes items 1-7, 9-12 |
| | 804210 | Door Assembly | Gray; Includes items 1-7, 9-12 |
| | 805550 | Door Assembly | Black; Includes items 1-7, 9-12 |

Front Panel Assembly

Models PFNJCASG114TG01, PFNJCASG114TN01, PFNJCASP114TG01, PFNJCASP114TN01, PFNJBXASG114TG01, PFNJBXASG114TN01, PFNJBXASP114TG01, SFNNCAJP113TW01, SFNNCASG113TN01, SFNNCASG113TQ01, SFNNCASG113TW01, SFNNCASP113TN01, SFNNCASP113TQ01, SFNNCASP113TW01, SFNNCRSP113TW01, SFNNCRSP113TW02, SFNNXASG113TW01, SFNNXASP113TN01, SFNNXASP113TW01, SFNNXRSP113TW02, SFNNYAJP113TW01, SFNNYASG113TN01, SFNNYASG113TW01, SFNNYASP113TN01, SFNNYASP113TW01, SFNNYBSP113TN01, SFNNYBSP113TW01, SFNNYRSP113TW01, SFNWCASG113TN01, SFNWCASP113TN01, SFNWCASG113TW01, SFNWCASP113TW01 and SFNWRSP113TW01



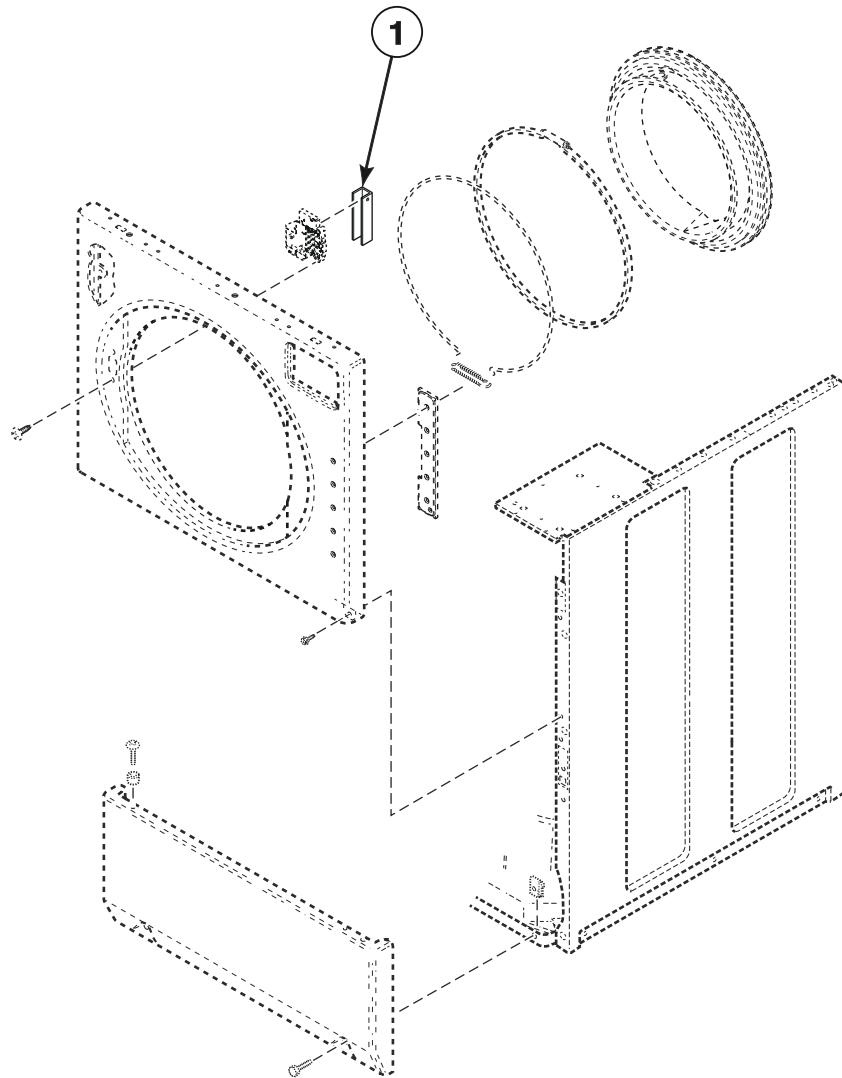
FLW1739PA_805863

Front Panel Assembly

| REF | PART NO. | DESCRIPTION | COMMENTS |
|-----|----------|--------------------------|-----------------|
| 1 | 806505W | Front Panel Assembly Kit | White |
| | 806560 | Front Panel Assembly Kit | Stainless steel |

Door Lock Drip Shield

Models BF3JGBJG403UN01, BF3JGBJG403UN06, BF3JGBJG403UW01, BF3JGBJG403UW06, BF3JGBJP403UN01, BF3JGBJP403UN06, BF3JGBJP403UW01, BF3JGBJP403UW06, BF3JGBSG403UN01, BF3JGBSG403UN06, BF3JGBSG403UW01, BF3JGBSG403UW06, BF3JGBSP403UN01, BF3JGBSP403UN06, BF3JGBSP403UW01, BF3JGBSP403UW06, BF3JLBSG403UN01, BF3JLBSG403UN06, BF3JLBSG403UW01, BF3JLBSG403UW06, BF3JLBSP403UN01, BF3JLBSP403UN06, BF3JLBSP403UW01, BF3JLBSP403UW06, BF3JXASG403UN01, BF3JXASG403UN06, BF3JXASP403UN01, BF3JXASP403UN06, BF3JXASP403UW01, BF3JXASP403UW06, HFNNXASP123DW01, HFNNXASP543DW01, JF3JEASP413EW06, JF3JGASP413EW06, JF3JGBSP413EW06, JF3JMASG413EN06, JF3JMBSG413EN06, JF3JXASP413EW06, JFNJEASG303EW06, JFNJEASP303EW06, JFNJXASG303EW06, JFNJXASP303EW06, NF3JGBSP403SW01, NF3JLBSG403UN01, NF3JLBSG403UT01, NF3JLBSG403UT06, NF3JLBSP403NN22, NF3JLBSP403NW22, NF3JLBSP403UN01, NF3JLBSP403UT01, NF3JLBSP403UT06, NF3JLBSP403UW01, NF3JXASG403UN01, NF3JXASG403UW01, NF3JXASP403NW22, NF3JXASP403UN01, NF3JXASP403UW01, NF3JXASP403UW06, NF3JYASG403UW01, PF3JGBJG403UG06, PF3JGBJP403UG06, PF3JGBSG403UG06, PF3JGBSP403UG06, PF3JXASG403UG06, PF3JXASP403UG06, PFNJXASG303UG06, PFNJXASG543ZG01, PFNJXASP303UG06, PFNJXASP304AG01, PFNJXASP543ZG01, SF3JXASP403EW06, SFNNXASG113JW01, SFNNXASP123DW01, SFNNXASP303AN01, SFNNXASP303AN12, SFNNXASP303AW01, SFNNXASP303AW12, SFNNXASP543DW01, SFNNXRSP543NW23 and TF3JXASP403NW22

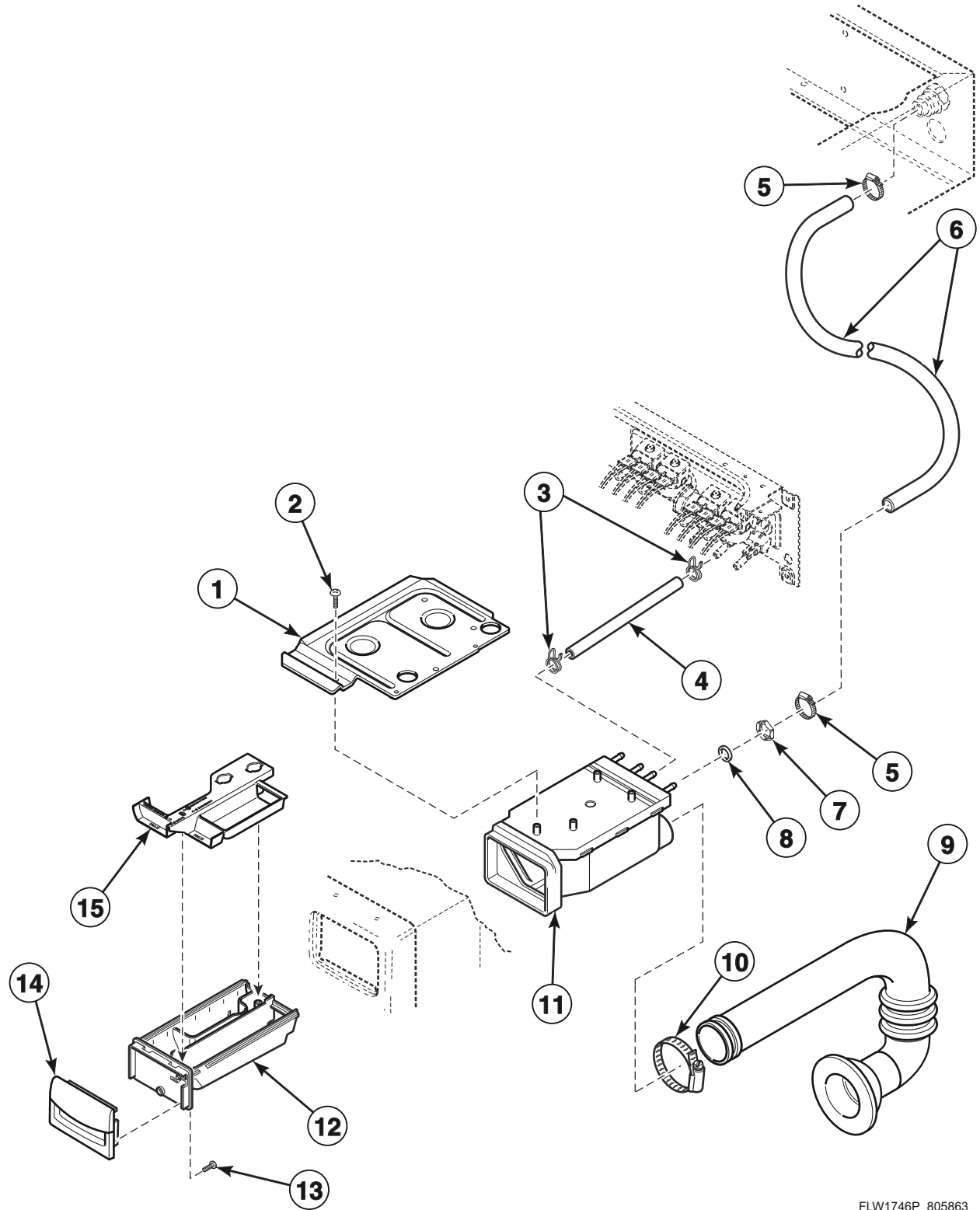


FLW1804P_805863

Door Lock Drip Shield

| REF | PART NO. | DESCRIPTION | COMMENTS |
|-----|----------|-----------------------|----------|
| 1 | 804784 | Door Lock Drip Shield | |

Dispenser Assembly

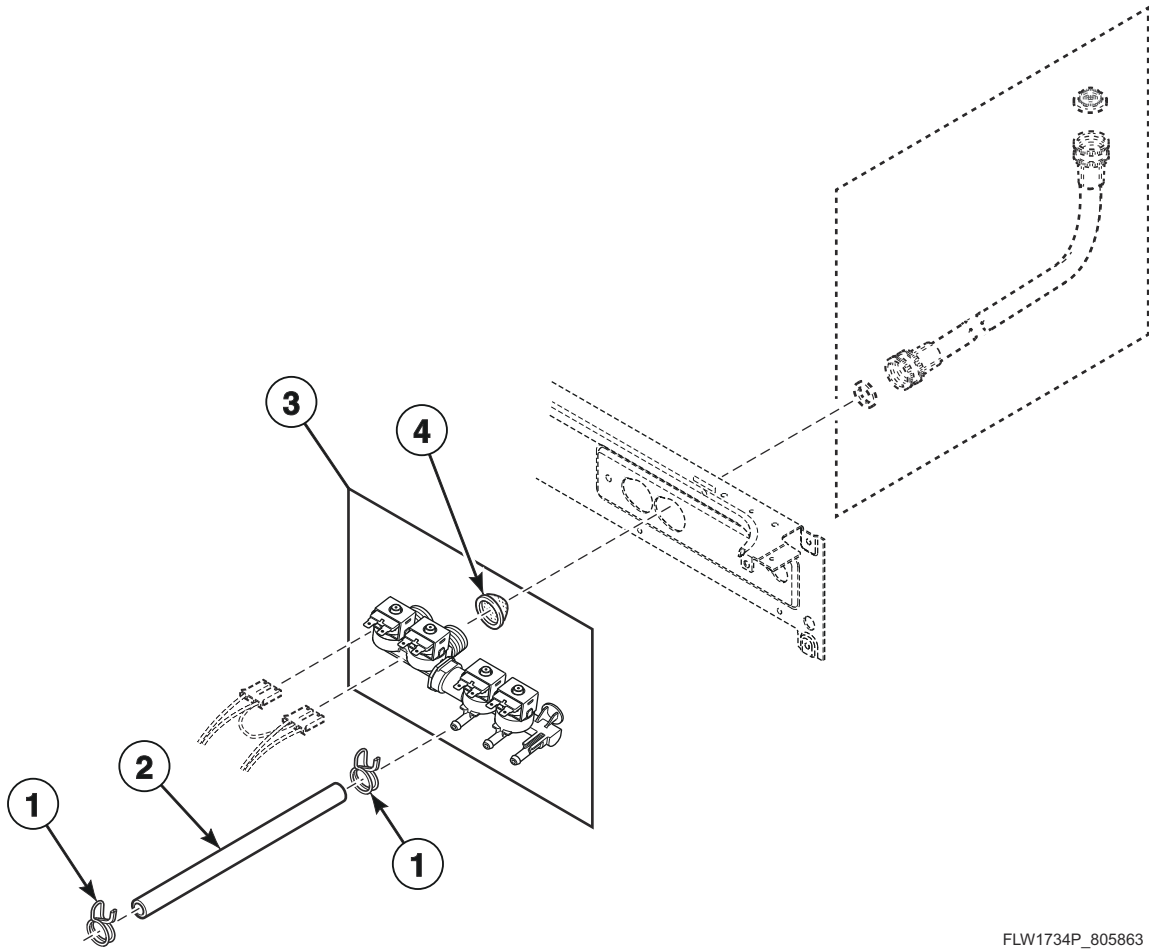


FLW1746P_805863

Dispenser Assembly

| REF | PART NO. | DESCRIPTION | COMMENTS |
|-----------|----------|-----------------------------------|--|
| | 804875 | Foam Pad | |
| | 805939 | Chemical Injection Conversion Kit | Includes 220 Volt/24 Volt transformer |
| | 805938 | Chemical Injection Conversion Kit | Includes 110 Volt/24 Volt transformer |
| 1 | 803843 | Dispenser Plate | |
| 2 | 801001 | Screw | |
| 3 | 804173 | Hose Clamp | |
| 4 | 803849 | Dispenser Inlet Hose | |
| 5 | F200206 | Hose Clamp | Models BF3JGBJG403UN01, BF3JGBJG403UN06, BF3JGBJG403UW01, BF3JGBJG403UW06, BF3JGBJP403UN01, BF3JGBJP403UN06, BF3JGBJP403UW01, BF3JGBJP403UW06, PF3JGBJG403UG06, PF3JGBJP403UG06, SFNNCAJP113TW01, SFNNXAJP113CN01 and SFNNYAJP113TW01 |
| 6 | 801635 | Tubing | Models BF3JGBJG403UN01, BF3JGBJG403UN06, BF3JGBJG403UW01, BF3JGBJG403UW06, BF3JGBJP403UN01, BF3JGBJP403UN06, BF3JGBJP403UW01, BF3JGBJP403UW06, PF3JGBJG403UG06, PF3JGBJP403UG06, SFNNCAJP113TW01, SFNNXAJP113CN01 and SFNNYAJP113TW01 |
| 7 | 802292 | Nut | Models BF3JGBJG403UN01, BF3JGBJG403UN06, BF3JGBJG403UW01, BF3JGBJG403UW06, BF3JGBJP403UN01, BF3JGBJP403UN06, BF3JGBJP403UW01, BF3JGBJP403UW06, PF3JGBJG403UG06, PF3JGBJP403UG06, SFNNCAJP113TW01, SFNNXAJP113CN01 and SFNNYAJP113TW01 |
| 8 | F170208 | O-Ring | Models BF3JGBJG403UN01, BF3JGBJG403UN06, BF3JGBJG403UW01, BF3JGBJG403UW06, BF3JGBJP403UN01, BF3JGBJP403UN06, BF3JGBJP403UW01, BF3JGBJP403UW06, PF3JGBJG403UG06, PF3JGBJP403UG06, SFNNCAJP113TW01, SFNNXAJP113CN01 and SFNNYAJP113TW01 |
| 9 | 804717 | Detergent Hose | |
| 10 | 685725 | Hose Clamp | |
| 11 | 803698 | Dispenser Assembly | |
| 12 | 803667 | Dispenser Drawer | |
| 13 | 800548 | Screw | |
| 14 | 804526 | Dispenser Handle | Light gray; Models PF3JGBJG403UG06, PF3JGBJP403UG06, PF3JGBSG403UG06, PF3JGBSP403UG06, PF3JXASG403UG06, PF3JXASP403UG06, PFNXXASG303UG06 and PFNXXASP303UG06 |
| | 804415W | Dispenser Handle | White; Models BF3JGBJG403UW06, BF3JGBJP403UW06, BF3JGBSG403UW06, BF3JGBSP403UW06, BF3JLBSG403UW06, BF3JLBSP403UW06, BF3JXASP403UW06, JF3JEASP413EW06, JF3JGASP413EW06, JF3JGBSP413EW06, JF3JXASP413EW06, JFNJEASG303EW06, JFNJEASP303EW06, JFNJXASG303EW06, JFNJXASP303EW06, NF3JLBSG403UT06, NF3JLBSP403UT06, NF3JXASP403UW06 and SF3JXASP403EW06 |
| | 804415B | Dispenser Handle | Black; Models BF3JGBJG403UN06, BF3JGBJP403UN06, BF3JGBSG403UN06, BF3JGBSP403UN06, BF3JLBSG403UN06, BF3JLBSP403UN06, BF3JXASG403UN06, BF3JXASP403UN06, JF3JMASG413EN06 and JF3JMBSG413EN06 |
| | 804228 | Dispenser Handle | Light gray; Models PFNXXASG114TG01, PFNXXASP114TG01 and PFNXXASP304AG01 |
| | 804227WP | Dispenser Handle | White; All other models |
| | 804227B | Dispenser Handle | Black; All other models |
| 15 | 803669 | Compartment Cover | |

Mixing Valve and Dispenser Hose

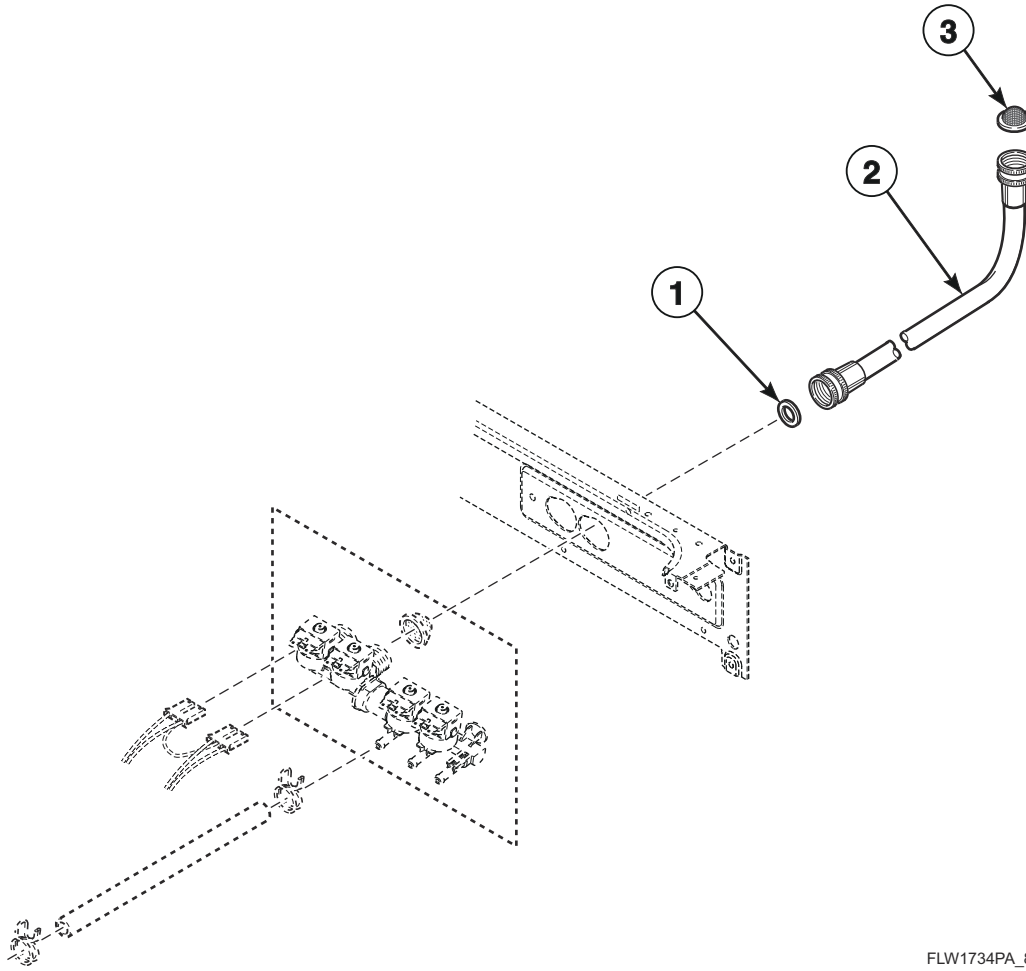


FLW1734P_805863

Mixing Valve and Dispenser Hose

| REF | PART NO. | DESCRIPTION | COMMENTS |
|-----|----------|----------------------|--|
| | 804783 | Mixing Valve Shield | Models BF3JGBJG403UN01, BF3JGBJG403UN06, BF3JGBJG403UW01, BF3JGBJG403UW06, BF3JGBJP403UN01, BF3JGBJP403UN06, BF3JGBJP403UW01, BF3JGBJP403UW06, BF3JGBSG403UN01, BF3JGBSG403UN06, BF3JGBSG403UW01, BF3JGBSG403UW06, BF3JGBSP403UN01, BF3JGBSP403UN06, BF3JGBSP403UW01, BF3JGBSP403UW06, BF3JLBSG403UN01, BF3JLBSG403UN06, BF3JLBSG403UW01, BF3JLBSG403UW06, BF3JLBSP403UN01, BF3JLBSP403UN06, BF3JLBSP403UW01, BF3JLBSP403UW06, BF3JXASG403UN01, BF3JXASG403UN06, BF3JXASG403UW01, BF3JXASG403UW06, HFNNXASP123DW01, HFNNXASP543DW01, JF3JEASP413EW06, JF3JGASP413EW06, JF3JGBSP413EW06, JF3JMASG413EN06, JF3JMBSG413EN06, JF3JXASP413EW06, JFNJEASG303EW06, JFNJEASP303EW06, JFNJXASG303EW06, JFNJXASP303EW06, NF3JGBSP403SW01, NF3JLBSG403UN01, NF3JLBSG403UT01, NF3JLBSG403UT06, NF3JLBSP403NN22, NF3JLBSP403NW22, NF3JLBSP403UN01, NF3JLBSP403UT01, NF3JLBSP403UT06, NF3JLBSP403UW01, NF3JXASG403UN01, NF3JXASG403UW01, NF3JXASP403NW22, NF3JXASP403UN01, NF3JXASP403UW01, NF3JXASP403UW06, NF3JYASG403UW01, PF3JGBJG403UG06, PF3JGBJP403UG06, PF3JGBSG403UG06, PF3JGBSP403UG06, PF3JXASG403UG06, PF3JXASP403UG06, PFNJCASG303UG06, PFNJCASG543ZG01, PFNJCASP303UG06, PFNJCASP304AG01, PFNJCASP543ZG01, SF3JXASP403EW06, SFNNXASG113JW01, SFNNXASP123DW01, SFNNXASP303AN01, SFNNXASP303AN12, SFNNXASP303AW01, SFNNXASP303AW12, SFNNXASP543DW01, SFNNXRSP543NW23 and TF3JXASP403NW22 |
| 1 | 804173 | Hose Clamp | |
| 2 | 803849 | Dispenser Inlet Hose | |
| 3 | 803809 | Mixing Valve | 120 Volt; Models HFNNEASP113CW01, HFNNRSP113CW01, HFNNXASP113CN01, HFNNXASP113CW01, HFNNXASP123DW01, HFNNXRSP113CW01, HFNNYASP113CW01, HFNNYBSP113CW01, HFNNYRSP113CW01, PFNJCASG114TG01, PFNJCASG114TN01, PFNJCASP114TG01, PFNJCASP114TN01, PFNJCASP114TN01, PFNJCASP114TN01, SFNNCAJP113TW01, SFNNCASG113TN01, SFNNCASG113TQ01, SFNNCASG113TW01, SFNNCASG113TN01, SFNNCASG113TQ01, SFNNCASG113TW01, SFNNCRSP113TW01, SFNNCRSP113TW02, SFNNCRSP113TW02, SFNNEASP113CW01, SFNNRSP113CW02, SFNNXASP113CN01, SFNNXASG113JW01, SFNNXASG113TW01, SFNNXASP113CN01, SFNNXASP113CW01, SFNNXASP113TN01, SFNNXASP113TW01, SFNNXASP113TW01, SFNNXASP123DW01, SFNNXRSP113CW02, SFNNXRSP113TW02, SFNNYASP113TW01, SFNNYASP113TN01, SFNNYASP113TW01, SFNNYASP113TW01, SFNNYASP113TW01, SFNNYBSP113TN01, SFNNYBSP113TW01, SFNNYRSP113TW01, SFNNYRSP113TW01, SFNWCASG113TN01, SFNWCASP113TN01, SFNWCASP113TN01, SFNWCASP113TN01, SFNWCASP113TN01, SFNWCASP113TN01 and SFNWCASP113TN01 |
| | 803838P | Mixing Valve | 240 Volt; All other models |
| 4 | 24122 | Mixing Valve Screen | |

Fill Hose (Drawing 1 of 2)

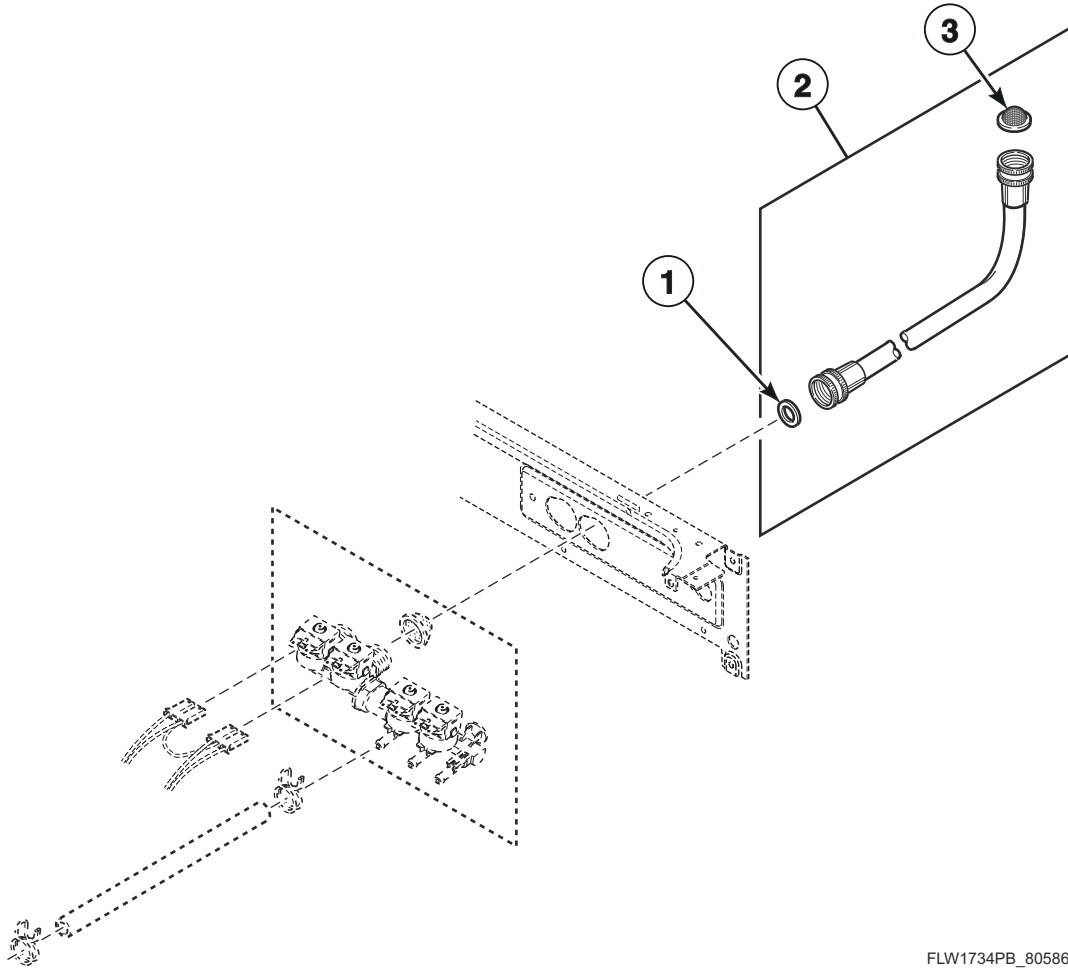


FLW1734PA_805863

Fill Hose (Drawing 1 of 2)

| REF | PART NO. | DESCRIPTION | COMMENTS |
|-----|----------|-------------|---|
| 1 | 20290 | Washer | |
| 2 | 202799 | Fill Hose | 4 feet; Hose is equipped with 2 standard hose couplings; Models HFNNXASP123DW01, HFNNXASP543DW01, SFNNXASP123DW01 and SFNNXASP543DW01 |
| | 20617 | Fill Hose | 8 feet; Hose is equipped with 2 standard hose couplings; Models HFNNEASP113CW01, HFNNERSP113CW01, HFNNXASP113CN01, HFNNXASP113CW01, HFNNXRSP113CW01, HFNNYASP113CW01, HFNNYBSP113CW01, HFNNYRSP113CW01, PFNJCASG114TG01, PFNJCASG114TN01, PFNJCASP114TG01, PFNJCASP114TN01, PFNXXASP114TG01, PFNXXASP114TN01, PFNXXASP114TG01, SFNNCAJP113TW01, SFNNCASG113TN01, SFNNCASG113TQ01, SFNNCASG113TW01, SFNNCASP113TN01, SFNNCASP113TQ01, SFNNCASP113TW01, SFNNCRSP113TW01, SFNNCRSP113TW02, SFNNEASP113CW01, SFNNERSP113CW02, SFNNXASP113CN01, SFNNXASP113TW01, SFNNXASP113CN01, SFNNXASP113CW01, SFNNXASP113TN01, SFNNXASP113TW01, SFNNXRSP113CW02, SFNNXRSP113TW02, SFNNYASP113TW01, SFNNYASP113TN01, SFNNYASP113TW01, SFNNYBSP113TN01, SFNNYBSP113TW01, SFNNYRSP113TW01, SFNWCASG113TN01, SFNWCASP113TN01, SFNXYASP113TN01, SFNXYASP113TW01 and SFNXYRSP113TW01 |
| | 20618 | Fill Hose | 10 feet; Hose is equipped with 2 standard hose couplings; Models HFNNEASP113CW01, HFNNERSP113CW01, HFNNXASP113CN01, HFNNXASP113CW01, HFNNXRSP113CW01, HFNNYASP113CW01, HFNNYBSP113CW01, HFNNYRSP113CW01, PFNJCASG114TG01, PFNJCASG114TN01, PFNJCASP114TG01, PFNJCASP114TN01, PFNXXASP114TG01, PFNXXASP114TN01, PFNXXASP114TG01, SFNNCAJP113TW01, SFNNCASG113TN01, SFNNCASG113TQ01, SFNNCASG113TW01, SFNNCASP113TN01, SFNNCASP113TQ01, SFNNCASP113TW01, SFNNCRSP113TW01, SFNNCRSP113TW02, SFNNEASP113CW01, SFNNERSP113CW02, SFNNXASP113CN01, SFNNXASP113TW01, SFNNXASP113CN01, SFNNXASP113CW01, SFNNXASP113TN01, SFNNXASP113TW01, SFNNXRSP113CW02, SFNNXRSP113TW02, SFNNYASP113TW01, SFNNYASP113TN01, SFNNYASP113TW01, SFNNYBSP113TN01, SFNNYBSP113TW01, SFNNYRSP113TW01, SFNWCASG113TN01, SFNWCASP113TN01, SFNXYASP113TN01, SFNXYASP113TW01 and SFNXYRSP113TW01 |
| | 202800 | Fill Hose | 4 feet; Hose is equipped with 1 standard and 1 BSPP coupling; All other models |
| | 202931 | Fill Hose | 10 feet; Hose is equipped with 1 standard and 1 BSPP coupling; All other models |
| 3 | 803615 | Washer | Filter screen |
| | 802254 | Washer | Flow restrictor; Water pressure reducer; Available for water pressure up to but not exceeding 120 psi |

Fill Hose (Drawing 2 of 2)

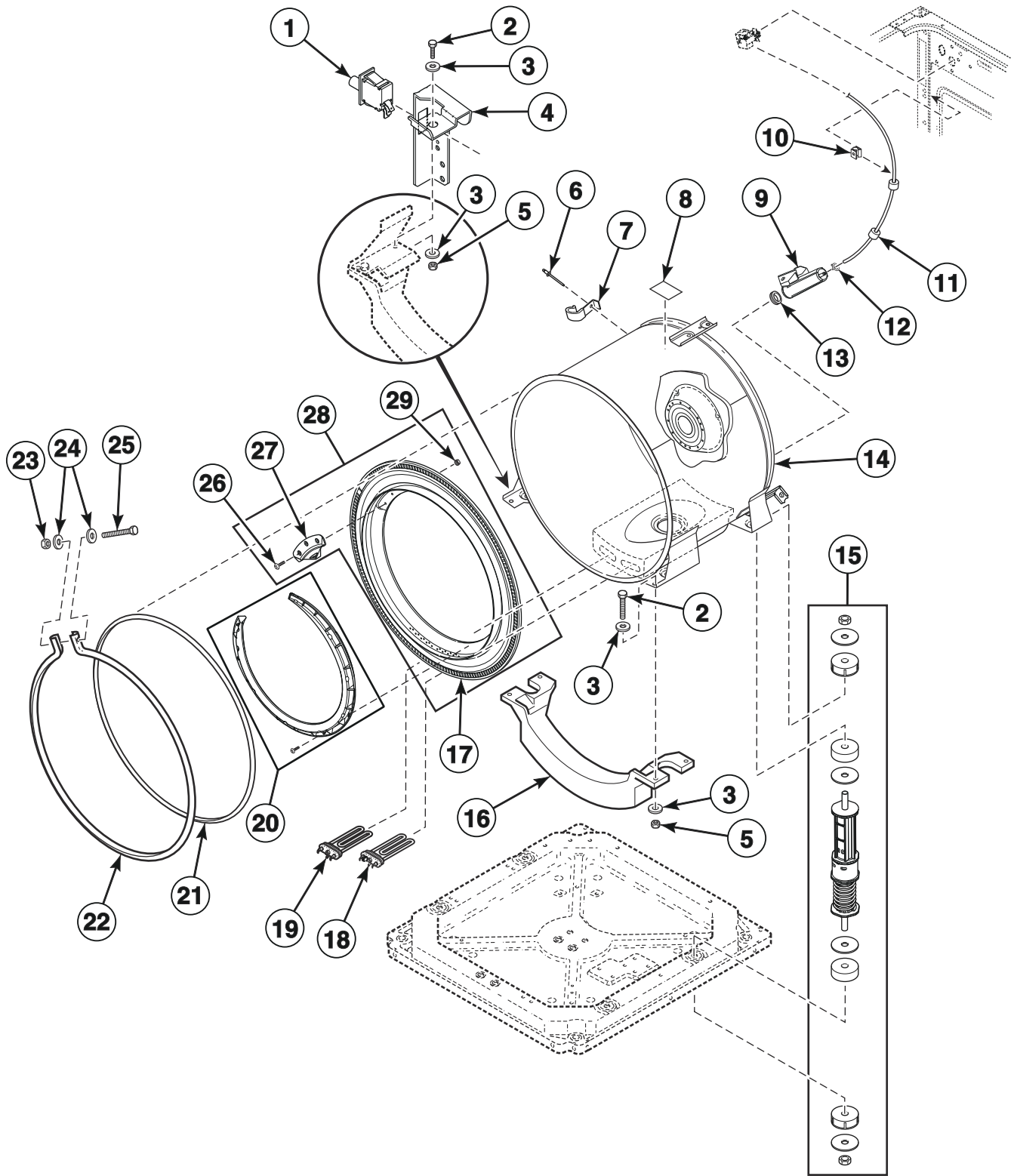


FLW1734PB_805863

Fill Hose (Drawing 2 of 2)

| REF | PART NO. | DESCRIPTION | COMMENTS |
|-----|----------|----------------------|--|
| 1 | 20290 | Washer | |
| 2 | F200116 | Water Hose | 5 feet; Hose is equipped with 2 standard hose couplings; Includes items 1 and 3; Models HFNNEASP113CW01, HFNNERSP113CW01, HFNNXASP113CN01, HFNNXASP113CW01, HFNNXRSP113CW01, HFNNYASP113CW01, HFNNYBSP113CW01, HFNNYRSP113CW01, PFNJCASG114TG01, PFNJCASP114TN01, PFNJCASP114TG01, PFNJCASP114TN01, PFNJXASG114TG01, PFNJXASP114TN01, PFNJXASP114TG01, SFNNCAJP113TW01, SFNNCASG113TN01, SFNNCASG113TQ01, SFNNCASG113TW01, SFNNCASP113TN01, SFNNCASP113TQ01, SFNNCASP113TW01, SFNNCRSP113TW01, SFNNCRSP113TW02, SFNNEASP113CW01, SFNNERSP113CW02, SFNNXAJP113CN01, SFNNXASG113TW01, SFNNXASP113CN01, SFNNXASP113CW01, SFNNXASP113TN01, SFNNXASP113TW01, SFNNXRSP113CW02, SFNNXRSP113TW02, SFNNYAJP113TW01, SFNNYASG113TN01, SFNNYASG113TW01, SFNNYASP113CW01, SFNNYASP113TN01, SFNNYASP113TW01, SFNNYBSP113TN01, SFNNYBSP113TW01, SFNNYRSP113TW01, SFNWCASG113TN01, SFNWCASP113TN01, SFNWYASG113TN01, SFNWYASP113TN01, SFNWYASP113TW01 and SFNWYRSP113TW01 |
| | 203676 | Hose and Washers Kit | Includes 2 of item 1; 4 feet; Hose is equipped with 2 standard hose couplings; Models HFNNXASP123DW01, HFNNXASP543DW01, SFNNXASP123DW01 and SFNNXASP543DW01 |
| | 203675 | Hose and Washers Kit | Includes 2 of item 1; 4 feet; Hose is equipped with 1 standard and 1 BSPP coupling; All other models |
| 3 | 803615 | Washer | Filter screen |
| | 802254 | Washer | Flow restrictor; Water pressure reducer; Available for water pressure up to but not exceeding 120 psi |

Outer Tub, Clamp Ring and Shock Absorbers

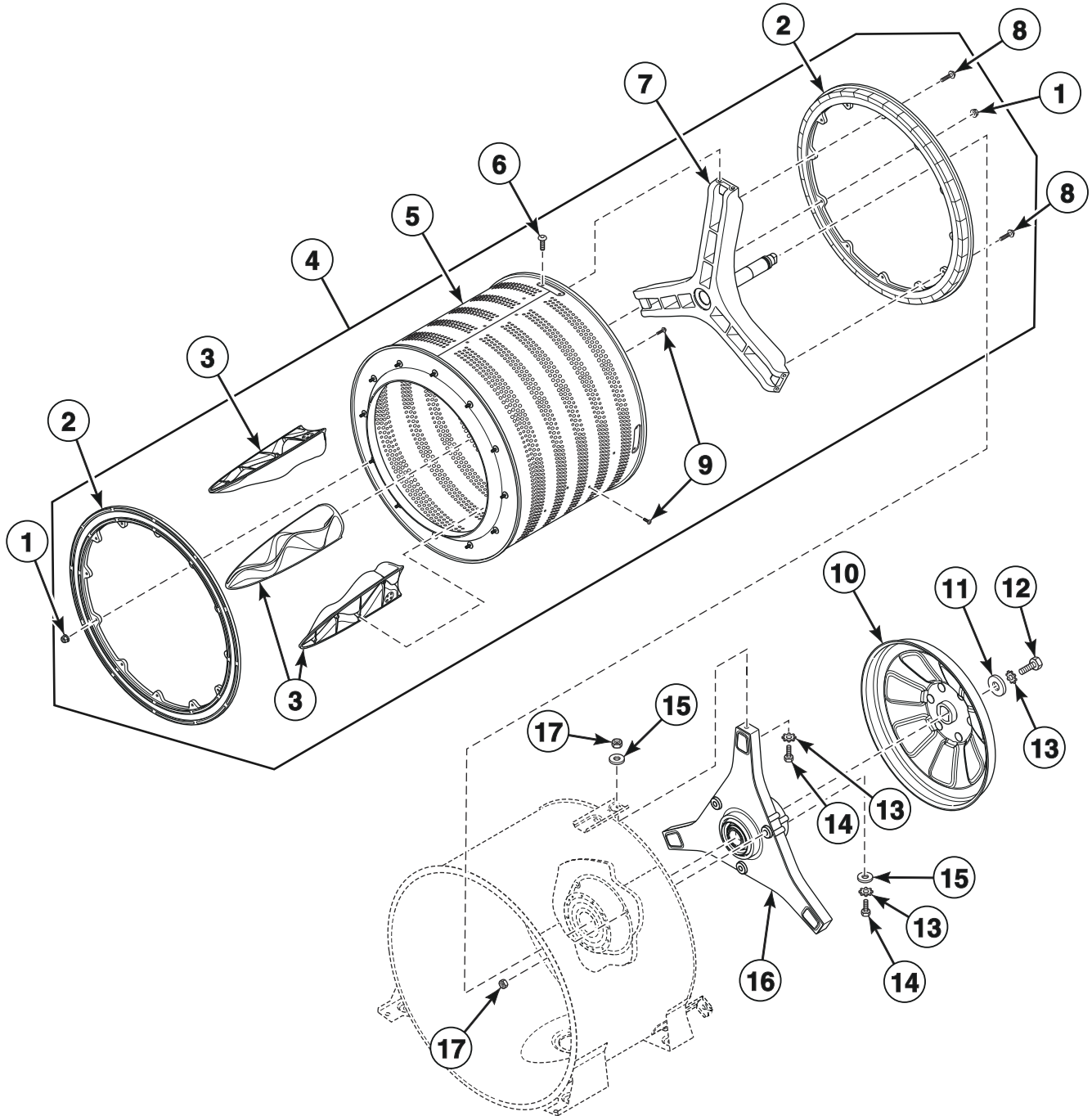


FLW1810P_805863

Outer Tub, Clamp Ring and Shock Absorbers

| REF | PART NO. | DESCRIPTION | COMMENTS |
|-----|----------|--------------------------------|---|
| 1 | 803415 | Out-of-Balance Switch Assembly | |
| 2 | 800461 | Screw | |
| 3 | 804458 | Washer | |
| 4 | 804457 | Out-of-Balance Switch Bracket | |
| 5 | 800452 | Nut | |
| 6 | 685847 | Pop Rivet | |
| 7 | 800553 | Hose Clip | |
| 8 | 500049 | Warning Label | |
| 9 | 803837 | Pressure Bulb | |
| 10 | 36985 | Hose Clip | |
| 11 | 804483 | Pressure Sensor Tube Assembly | |
| 12 | 803891 | Hose Clamp | |
| 13 | 29175 | Grommet | |
| 14 | 803865 | Outer Tub Assembly | Models with heater |
| | 803864 | Outer Tub Assembly | Models without heater |
| 15 | 803777 | Shock Assembly | Must replace all 4 |
| 16 | 803810 | Counterweight | |
| 17 | 803770 | Tub Front | |
| 18 | 804777P | Heating Element | Includes thermistor; Models with heater |
| 19 | 804778P | Heating Element | Models with heater |
| 20 | 806308 | Foreign Object Deflector | Black; Includes screws |
| | 806313 | Foreign Object Deflector | Gray; Includes screws |
| | 806361 | Foreign Object Deflector | Tall; Gray; Includes screws |
| 21 | 803801 | Tub Front Seal | |
| 22 | 803802 | Clamp Ring | |
| 23 | F430218 | Nut | |
| 24 | M400081 | Washer | 8 required |
| 25 | 800462 | Screw | |
| 26 | 802596 | Screw | |
| 27 | 804467 | Clothes Guard Deflector | |
| | 805548 | Clothes Guard Deflector | Heavy duty |
| 28 | 803879 | Tub Front Assembly | Includes items 17, 20, 26, 27 and 29 |
| 29 | 802343 | Nut | |

Inner Basket, Trunnion, Bearing Housing and Pulley

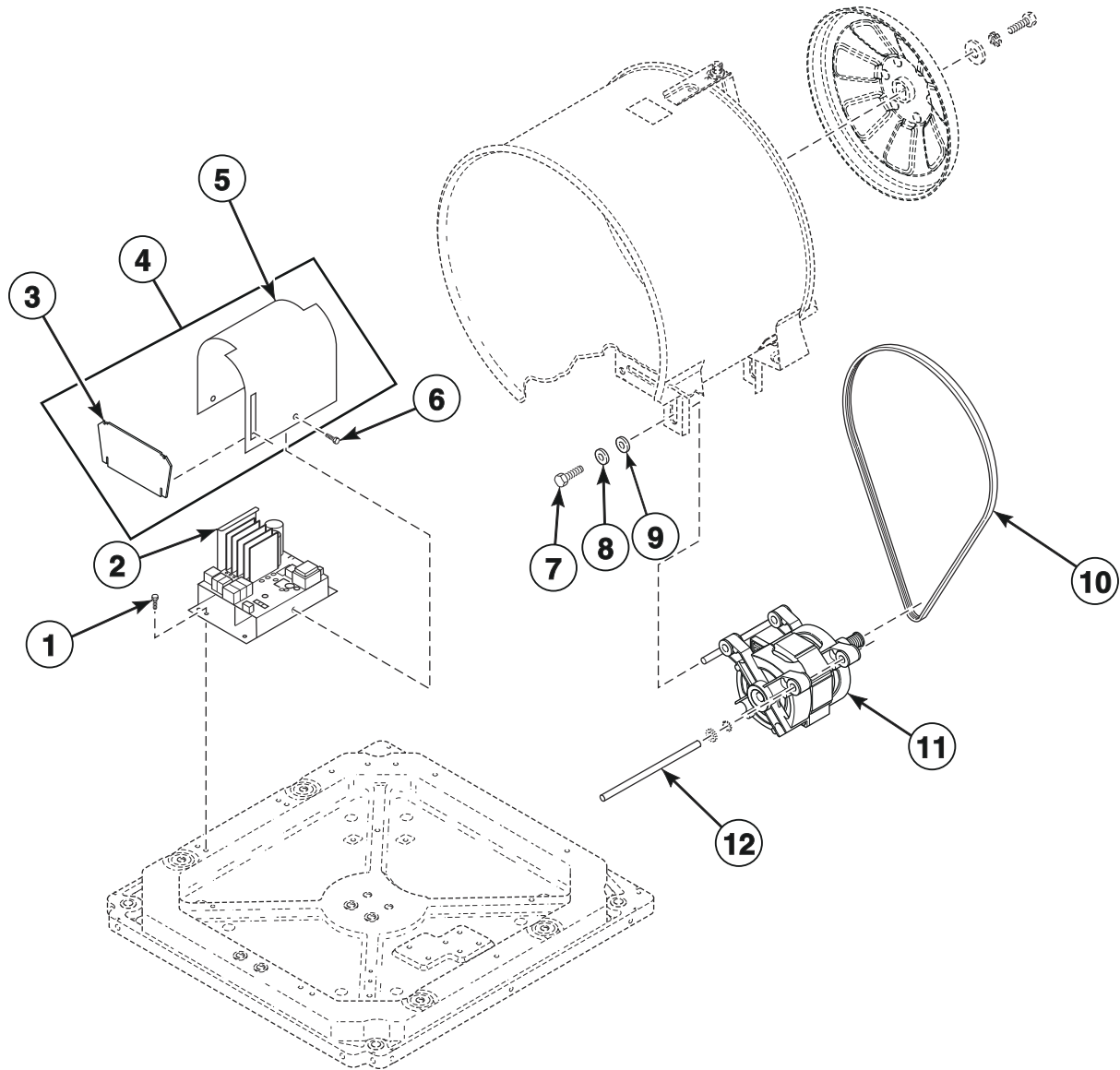


FLW1803P_805863

Inner Basket, Trunnion, Bearing Housing and Pulley

| REF | PART NO. | DESCRIPTION | COMMENTS |
|-----|----------|---------------------------|--|
| | 27604P | Anti-Seize Compound | Pulley to inner basket shaft |
| | 805730 | Bearing Kit | |
| 1 | 804418 | Nut | |
| 2 | 804393 | Balance Ring Assembly | |
| 3 | 804382 | Lifter | |
| 4 | 805485 | Inner Basket Assembly | Models SFNNXASP303AN12 and SFNNXASP303AW12 |
| | 804376P | Inner Basket Assembly Kit | All other models |
| 5 | 804374P | Inner Basket Assembly | |
| 6 | 804699 | Screw | |
| 7 | 804405P | Trunnion Shaft Kit | Includes hardware |
| 8 | 804399 | Screw | |
| 9 | 800548 | Screw | |
| 10 | 803974 | Pulley Assembly | |
| 11 | 800464 | Washer | |
| 12 | 685831 | Screw | Left hand thread |
| 13 | M403958 | Washer | Used on models through Serial No. 1609046805 |
| 14 | M400043 | Screw | |
| 15 | 800457 | Washer | |
| 16 | 805525 | Bearing Housing Kit | Includes hardware and tool |
| 17 | 800452 | Nut | |

Motor and Belt



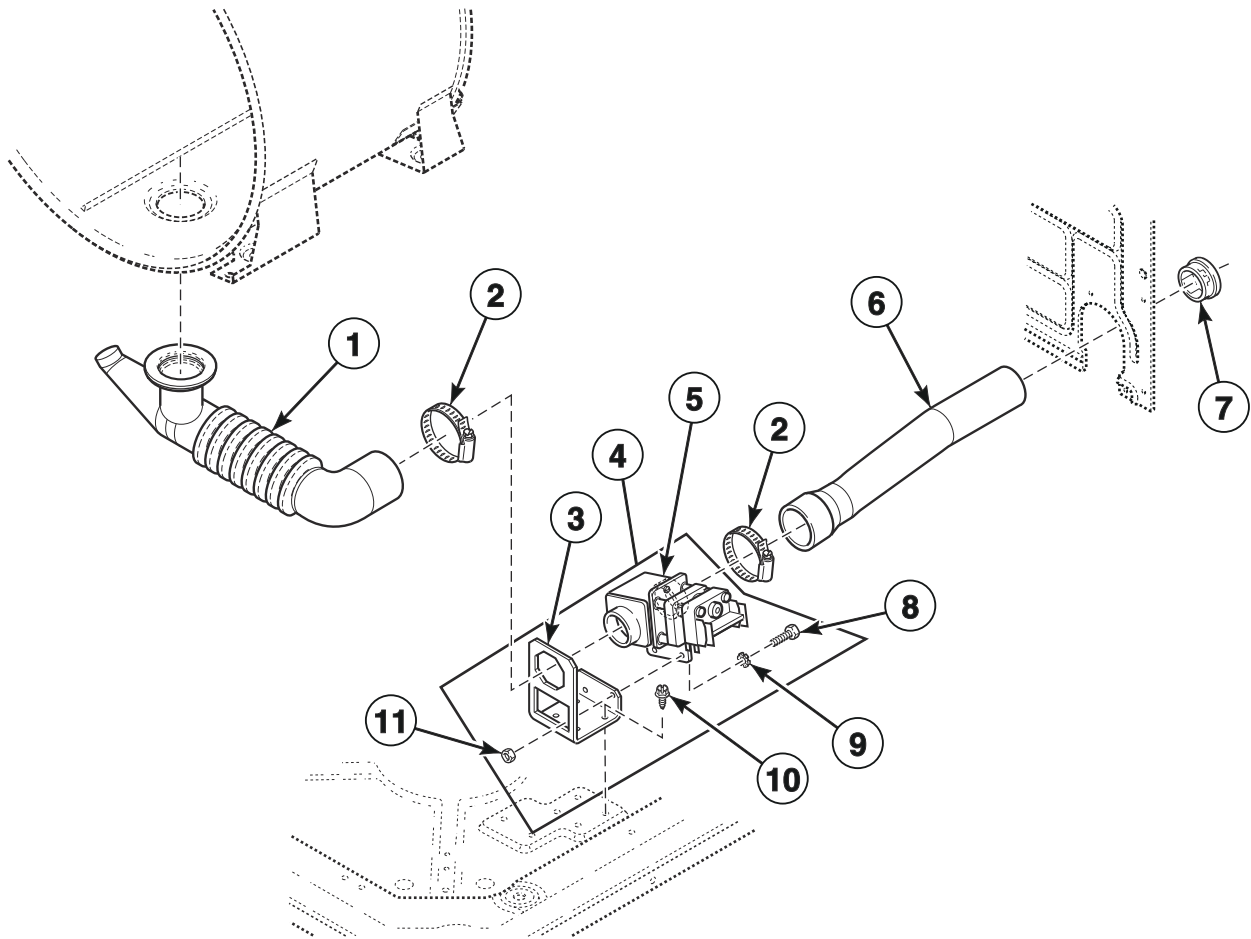
FLW1794P_805863

Motor and Belt

| REF | PART NO. | DESCRIPTION | COMMENTS |
|-----|----------|----------------------------|--|
| 1 | 503661 | Screw | |
| 2 | 803949P | Inverter Control Assembly | |
| 3 | 806258 | End Shield | All models except HFNNEASP113CW01, HFNNERSP113CW01, HFNNXASP113CN01, HFNNXASP113CW01, HFNNXRSP113CW01, HFNNYASP113CW01, HFNNYBSP113CW01, HFNNYRSP113CW01, PFNJCASG114TG01, PFNJCASG114TN01, PFNJCASP114TG01, PFNJCASP114TN01, PFNJXASG114TG01, PFNJXASG114TN01, PFNJXASP114TG01, SFNNCAJP113TW01, SFNNCASG113TN01, SFNNCASG113TQ01, SFNNCASG113TW01, SFNNCASP113TN01, SFNNCASP113TQ01, SFNNCASP113TW01, SFNNCRSP113TW01, SFNNCRSP113TW02, SFNNEASP113CW01, SFNNERSP113CW02, SFNNXAJP113CN01, SFNNXASG113TW01, SFNNXASP113CN01, SFNNXASP113CW01, SFNNXASP113TN01, SFNNXASP113TW01, SFNNXRSP113CW02, SFNNXRSP113TW02, SFNNYAJP113TW01, SFNNYASG113TN01, SFNNYASG113TW01, SFNNYASP113CW01, SFNNYASP113TN01, SFNNYASP113TW01, SFNNYBSP113TN01, SFNNYBSP113TW01, SFNNYRSP113TW01, SFNWCASG113TN01, SFNWCASP113TN01, SFNWAYASG113TN01, SFNWAYASP113TN01, SFNWAYASP113TW01 and SFNWRSP113TW01 |
| 4 | 806498 | Motor Control Shield | Includes items 3 and 5; All models except HFNNEASP113CW01, HFNNERSP113CW01, HFNNXASP113CN01, HFNNXASP113CW01, HFNNXRSP113CW01, HFNNYASP113CW01, HFNNYBSP113CW01, HFNNYRSP113CW01, PFNJCASG114TG01, PFNJCASG114TN01, PFNJCASP114TG01, PFNJCASP114TN01, PFNJXASG114TG01, PFNJXASG114TN01, PFNJXASP114TG01, SFNNCAJP113TW01, SFNNCASG113TN01, SFNNCASG113TQ01, SFNNCASG113TW01, SFNNCASP113TN01, SFNNCASP113TQ01, SFNNCASP113TW01, SFNNCRSP113TW01, SFNNCRSP113TW02, SFNNEASP113CW01, SFNNERSP113CW02, SFNNXAJP113CN01, SFNNXASG113TW01, SFNNXASP113CN01, SFNNXASP113CW01, SFNNXASP113TN01, SFNNXASP113TW01, SFNNXRSP113CW02, SFNNXRSP113TW02, SFNNYAJP113TW01, SFNNYASG113TN01, SFNNYASG113TW01, SFNNYASP113CW01, SFNNYASP113TN01, SFNNYASP113TW01, SFNNYBSP113TN01, SFNNYBSP113TW01, SFNNYRSP113TW01, SFNWCASG113TN01, SFNWCASP113TN01, SFNWAYASG113TN01, SFNWAYASP113TN01, SFNWAYASP113TW01 and SFNWRSP113TW01 |
| 5 | 804878 | Motor Control Shield | |
| 6 | 501524 | Screw | |
| 7 | M400057 | Screw | |
| 8 | 02834 | Washer | |
| 9 | M400080 | Washer | |
| 10 | 804985 | Drive Belt | |
| 11 | 805726P | Motor and Rod Assembly Kit | Includes item 12 |
| 12 | 803861 | Motor Rod | |

Drain Hoses and Valve

Gravity Drain Models



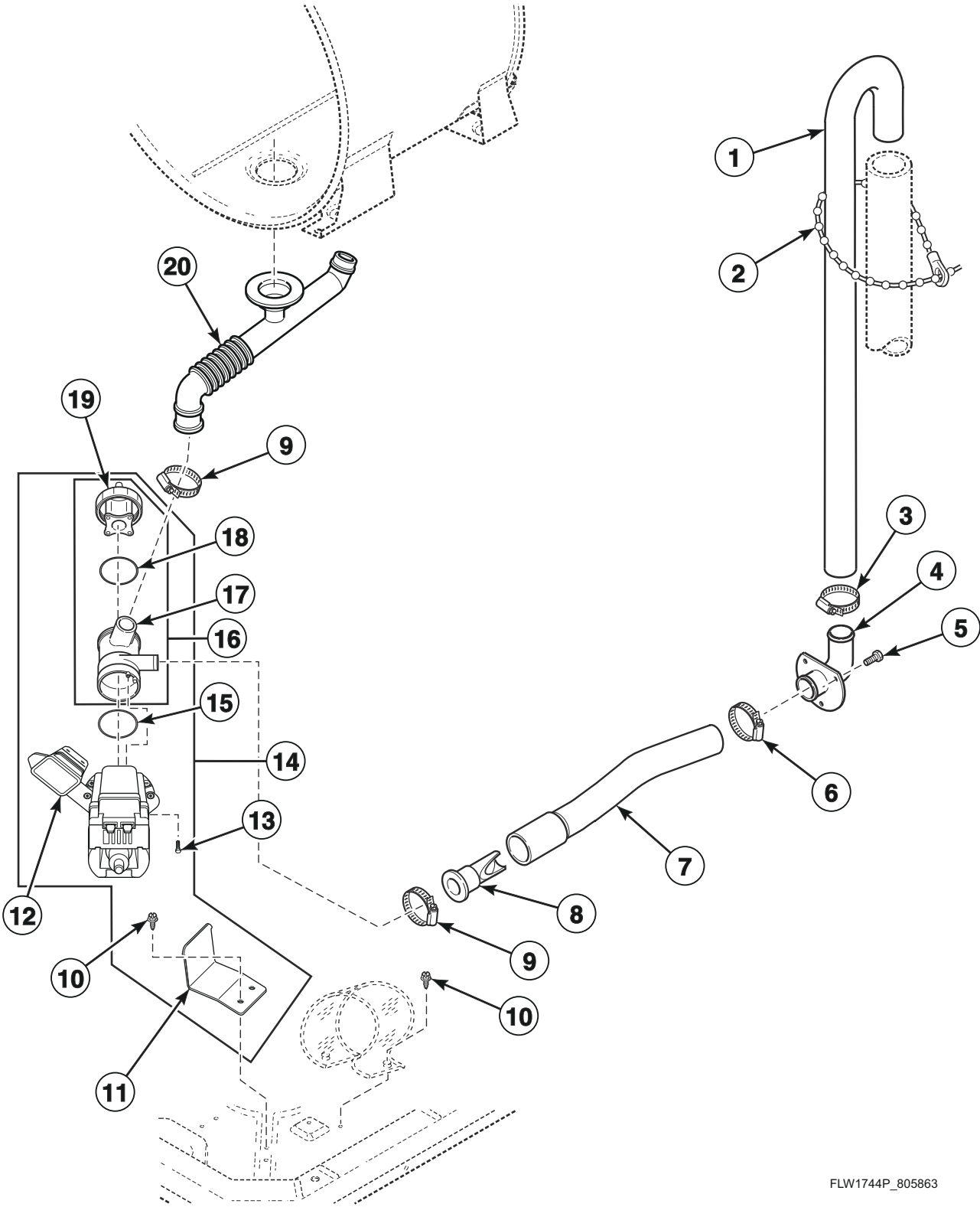
FLW1745P_805863

Drain Hoses and Valve

| REF | PART NO. | DESCRIPTION | COMMENTS |
|-----|----------|---------------------------|---|
| 1 | 803873 | Tub-to-Drain Hose | Models BF3JGBJG403UN01, BF3JGBJG403UN06, BF3JGBJG403UW01, BF3JGBJG403UW06, BF3JGBSG403UN01, BF3JGBSG403UN06, BF3JGBSG403UW01, BF3JGBSG403UW06, BF3JLBSG403UN01, BF3JLBSG403UN06, BF3JLBSG403UW01, BF3JLBSG403UW06, BF3JXASG403UN01, BF3JXASG403UN06, JF3JMASG413EN06, JF3JMBSG413EN06, NF3JLBSG403UN01, NF3JLBSG403UT01, NF3JLBSG403UT06, NF3JXASG403UN01, NF3JXASG403UW01, NF3JYASG403UW01, PF3JGBJG403UG06, PF3JGBSG403UG06 and PF3JXASG403UG06 |
| | 803874 | Tub-to-Gravity Drain Hose | All other models |
| | 27615P | Sealant | Tub-to-drain hose to outer tub |
| 2 | 685725 | Hose Clamp | |
| 3 | 803291 | Gravity Drain Bracket | |
| 4 | F975P3 | Drain Valve Kit | 120 Volt; Includes items 3, 5 and 8-11; Models PFNJCASG114TG01, PFNJCASG114TN01, PFNJJASG114TG01, PFNJJASG114TN01, SFNNCASG113TN01, SFNNCASG113TQ01, SFNNCASG113TW01, SFNNXASG113JW01, SFNNXASG113TW01, SFNNYASG113TN01, SFNNYASG113TW01, SFNWCASG113TN01 and SFNWWYASG113TN01 |
| | F976P3 | Drain Valve Kit | 240 Volt; Includes items 3, 5 and 8-11; All other models |
| 5 | 803293 | Drain Valve | 120 Volt; Models PFNJCASG114TG01, PFNJCASG114TN01, PFNJJASG114TG01, PFNJJASG114TN01, SFNNCASG113TN01, SFNNCASG113TQ01, SFNNCASG113TW01, SFNNXASG113JW01, SFNNXASG113TW01, SFNNYASG113TN01, SFNNYASG113TW01, SFNWCASG113TN01 and SFNWWYASG113TN01 |
| | 803292 | Gravity Drain Valve | 240 Volt; All other models |
| 6 | 800903 | Drain-to-Cabinet Hose | |
| 7 | 503235 | Snap Bushing | |
| 8 | 02916 | Screw | |
| 9 | M400017 | Washer | |
| 10 | 503661 | Screw | |
| 11 | 29786 | Nut | |

Drain Hose and Pump

Pump Models



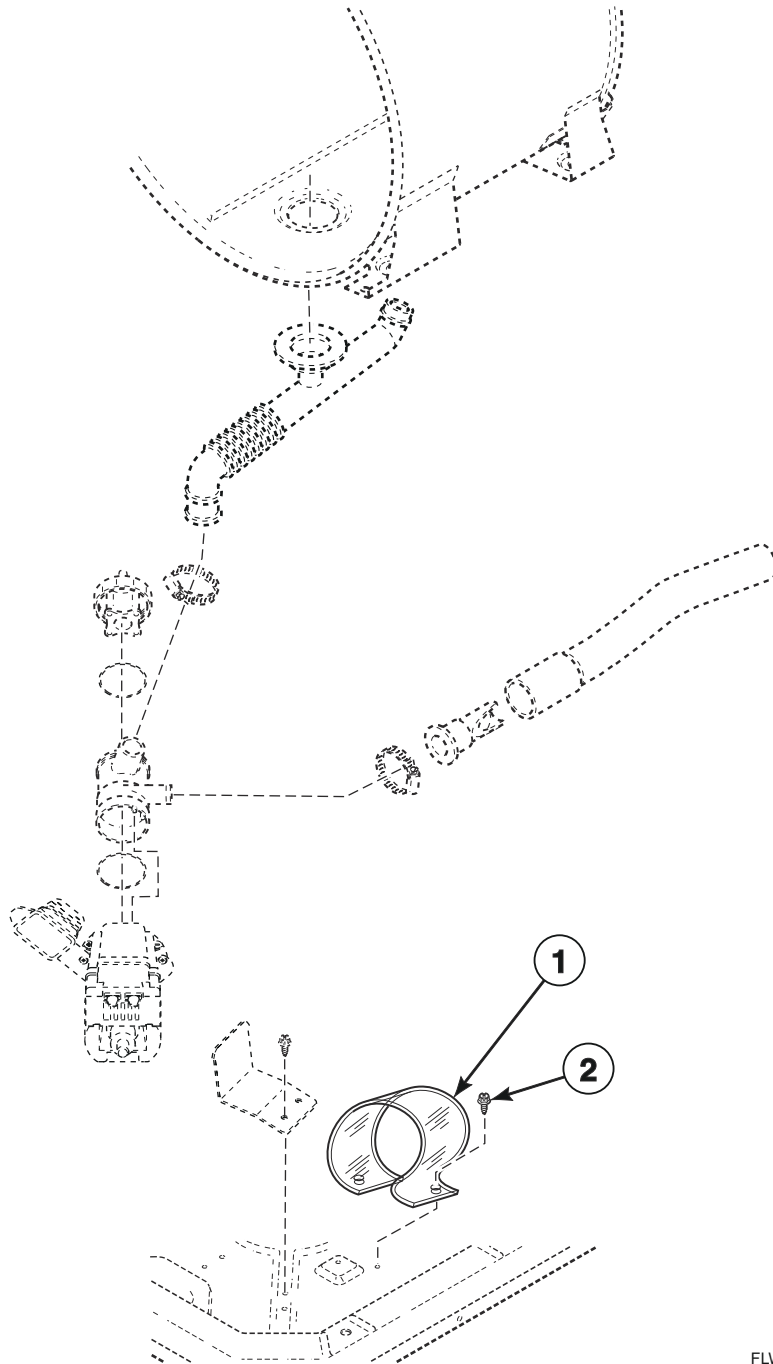
FLW1744P_805863

Drain Hose and Pump

| REF | PART NO. | DESCRIPTION | COMMENTS |
|-----|----------|---------------------------|---|
| | 805771 | Pump-to-Gravity Drain Kit | 120 Volt; Models HFNNEASP113CW01, HFNNERSP113CW01, HFNNXASP113CN01, HFNNXASP113CW01, HFNNXRSP113CW01, HFNNYASP113CW01, HFNNYBSP113CW01, HFNNYRSP113CW01, PFNJCASP114TG01, PFNJCASP114TN01, PFNJJXASP114TG01, SFNNCAJP113TW01, SFNNCASP113TN01, SFNNCASP113TQ01, SFNNCASP113TW01, SFNNCRSP113TW01, SFNNCRSP113TW02, SFNNEASP113CW01, SFNNERSP113CW02, SFNNXAJP113CN01, SFNNXASP113CN01, SFNNXASP113CW01, SFNNXASP113TN01, SFNNXASP113TW01, SFNNXRSP113CW02, SFNNXRSP113TW02, SFNNYAJP113TW01, SFNNYASP113CW01, SFNNYASP113TN01, SFNNYASP113TW01, SFNNYBSP113TN01, SFNNYBSP113TW01, SFNNYRSP113TW01, SFNWCASP113TN01, SFNXYASP113TN01, SFNXYASP113TW01 and SFNXYRSP113TW01 |
| | 805770 | Pump-to-Gravity Drain Kit | 240 Volt; All other models |
| 1 | 27154 | Drain Hose | |
| 2 | 33489 | Standpipe Strap | |
| 3 | 20211 | Hose Clamp | |
| 4 | 35766 | Drain Hose Elbow | |
| 5 | 52909 | Screw | |
| 6 | 20391 | Hose Clamp | |
| 7 | 803734 | Pump-to-Elbow Hose | |
| 8 | 800310 | Backflow Preventer | |
| 9 | F200204 | Hose Clamp | |
| 10 | 503661 | Screw | |
| 11 | 803814 | Drain Base Bracket | |
| 12 | 803815 | Drain Pump Isolator | |
| 13 | 802431 | Screw | |
| 14 | 805722P | Drain Pump Assembly | 208-240 Volt/60 Hertz; Includes items 11-13 and 15-19; Models HFNNXASP543DW01, PFNJJXASP543ZG01 and SFNNXASP543DW01 |
| | 803921P | Drain Pump Assembly | 120 Volt/60 Hertz; Includes items 11-13 and 15-19; Models HFNNEASP113CW01, HFNNERSP113CW01, HFNNXASP113CN01, HFNNXASP113CW01, HFNNXRSP113CW01, HFNNYASP113CW01, HFNNYBSP113CW01, HFNNYRSP113CW01, PFNJCASP114TG01, PFNJCASP114TN01, PFNJJXASP114TG01, SFNNCAJP113TW01, SFNNCASP113TN01, SFNNCASP113TQ01, SFNNCASP113TW01, SFNNCRSP113TW01, SFNNCRSP113TW02, SFNNEASP113CW01, SFNNERSP113CW02, SFNNXAJP113CN01, SFNNXASP113CN01, SFNNXASP113CW01, SFNNXASP113TN01, SFNNXASP113TW01, SFNNXRSP113CW02, SFNNXRSP113TW02, SFNNYAJP113TW01, SFNNYASP113CW01, SFNNYASP113TN01, SFNNYASP113TW01, SFNNYBSP113TN01, SFNNYBSP113TW01, SFNNYRSP113TW01, SFNWCASP113TN01, SFNXYASP113TN01, SFNXYASP113TW01 and SFNXYRSP113TW01 |
| | 805724P | Drain Pump Assembly | 100-127 Volt/60 Hertz; Includes items 11-13 and 15-19; Models HFNNXASP123DW01 and SFNNXASP123DW01 |
| | 803922 | Drain Pump Assembly | 220-240 Volt/50 Hertz; Includes items 11-13 and 15-19; All other models |
| 15 | 802429P | O-Ring | |
| 16 | 802434P | Pump Housing Assembly | Includes items 17-19 |
| 17 | 802428 | Pump Housing | |
| 18 | 802427 | Gasket | |
| 19 | 802426P | Lid Assembly | Includes filter |
| 20 | 803816 | Tub-to-Pump Hose | Models with heater |
| | 803829 | Tub-to-Pump Hose | Models without heater |
| | 27615P | Sealant | Tub-to-pump hose to outer tub |

Drain Pump Shield

Models BF3JGBJP403UN01, BF3JGBJP403UN06, BF3JGBJP403UW01, BF3JGBJP403UW06, BF3JGBSP403UN01, BF3JGBSP403UN06, BF3JGBSP403UW01, BF3JGBSP403UW06, BF3JLBSP403UN01, BF3JLBSP403UN06, BF3JLBSP403UW01, BF3JLBSP403UW06, BF3JXASP403UN01, BF3JXASP403UN06, BF3JXASP403UW01, BF3JXASP403UW06, HFNNXASP123DW01, HFNNXASP543DW01, JF3JEASP413EW06, JF3JGASP413EW06, JF3JGBSP413EW06, JF3JXASP413EW06, JFNJEASP303EW06, JFNJXASP303EW06, NF3JGBSP403SW01, NF3JLBSP403NN22, NF3JLBSP403NW22, NF3JLBSP403UN01, NF3JLBSP403UT01, NF3JLBSP403UT06, NF3JLBSP403UW01, NF3JXASP403NW22, NF3JXASP403UN01, NF3JXASP403UW01, NF3JXASP403UW06, PF3JGBJP403UG06, PF3JGBSP403UG06, PF3JXASP403UG06, PFNJXASP303UG06, PFNJXASP304AG01, PFNJXASP543ZG01, SF3JXASP403EW06, SFNNXASP123DW01, SFNNXASP303AN01, SFNNXASP303AN12, SFNNXASP303AW01, SFNNXASP303AW12, SFNNXASP543DW01, SFNNXRSP543NW23 and TF3JXASP403NW22

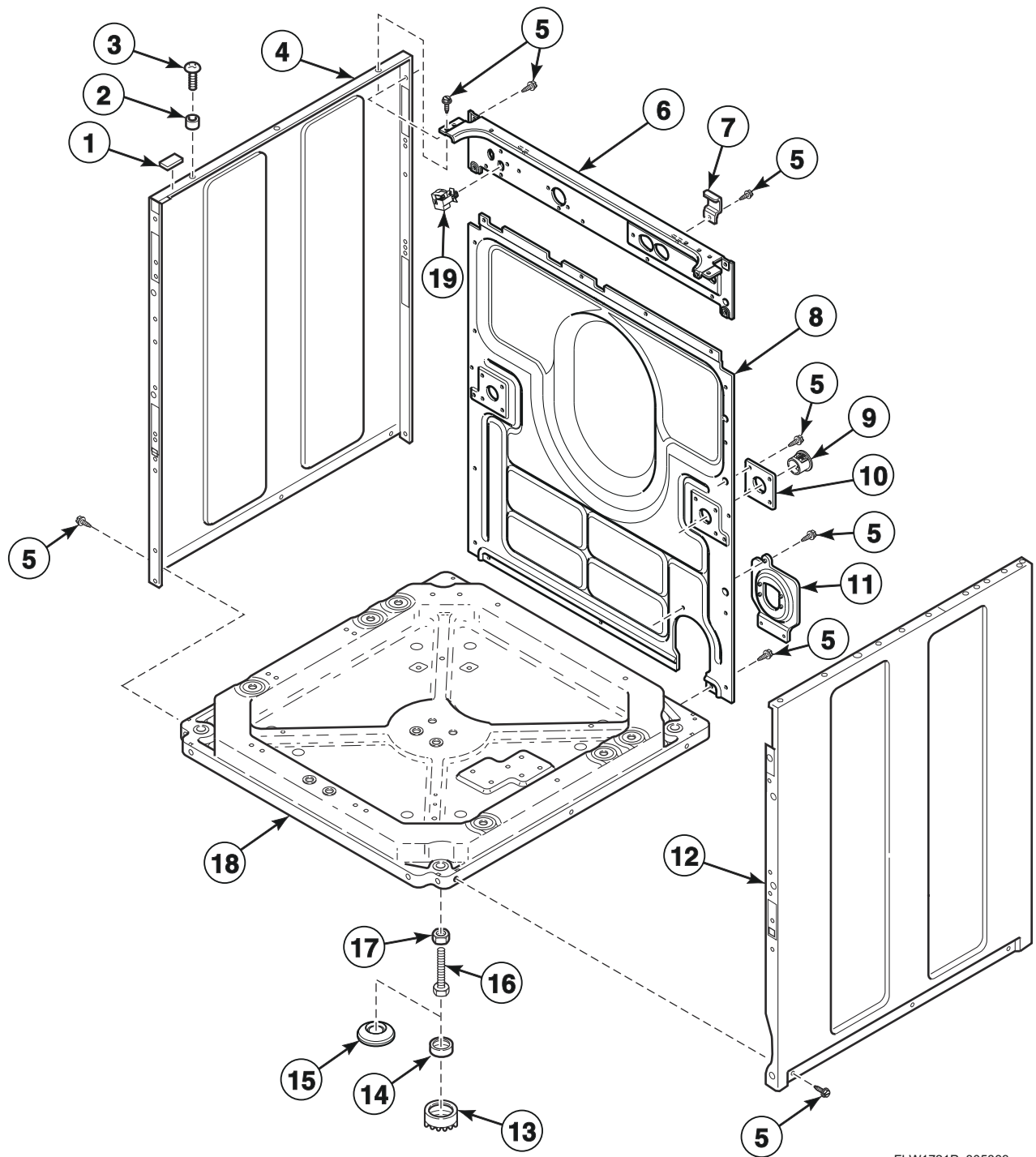


FLW1805P_805863

Drain Pump Shield

| REF | PART NO. | DESCRIPTION | COMMENTS |
|-----|----------|------------------------|----------|
| 1 | 805561 | Drain Pump Drip Shield | |
| 2 | 503661 | Screw | |

Side, Base and Rear Panels



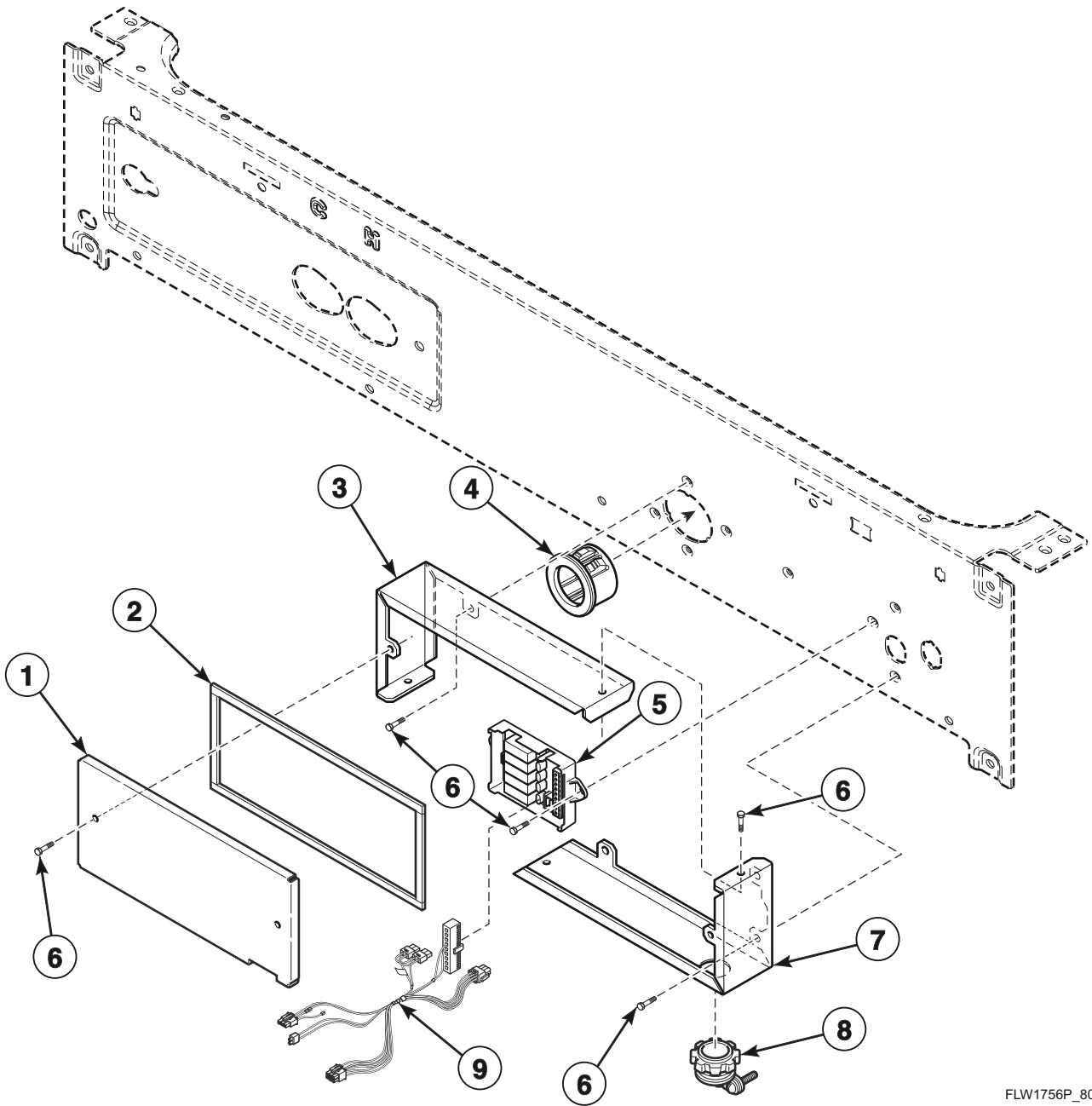
FLW1721P_805863

Side, Base and Rear Panels

| REF | PART NO. | DESCRIPTION | COMMENTS |
|-----------|----------|-----------------------------|--|
| | 122P4P | Porcelain Touch-Up Paint | White |
| | 370P4P | Porcelain Touch-Up Paint | Bisque |
| | 806436P | Paint | Dark gray |
| 1 | 36226 | Bumper Pad | |
| 2 | 56079 | Panel Locator | |
| 3 | 39733 | Screw | |
| 4 | 800004WP | Cabinet Panel Kit | White; Left; Includes corner gusset with hardware |
| | 800004QP | Cabinet Panel Kit | Bisque; Left; Includes corner gusset with hardware |
| | 800004DG | Cabinet Side Panel | Dark gray; Left |
| 5 | 503661 | Screw | |
| 6 | 803790 | Rear Panel | Fixed |
| 7 | 510136 | Top Hinge | |
| 8 | 803789 | Rear Panel | Removable |
| 9 | 803859 | Shipping Plug | |
| 10 | 803851 | Shipping Plate | |
| 11 | 803833 | Gravity Drain Bracket | Models BF3JGBJG403UN01, BF3JGBJG403UN06, BF3JGBJG403UW01, BF3JGBJG403UW06, BF3JGBSG403UN01, BF3JGBSG403UN06, BF3JGBSG403UW01, BF3JGBSG403UW06, BF3JLBSG403UN01, BF3JLBSG403UN06, BF3JLBSG403UW01, BF3JLBSG403UW06, BF3JXASG403UN01, BF3JXASG403UN06, JF3JMASG413EN06, JF3JMBSG413EN06, JFNJEASG303EW06, JFNJXASG303EW06, NF3JLBSG403UN01, NF3JLBSG403UT01, NF3JLBSG403UT06, NF3JXASG403UN01, NF3JXASG403UW01, NF3JYASG403UW01, PF3JGBJG403UG06, PF3JGBSG403UG06, PF3JXASG403UG06, PFNJCASG114TG01, PFNJCASG114TN01, PFNJXASG114TG01, PFNJXASG114TN01, PFNJXASG303UG06, PFNJXASG543ZG01, SFNNCASG113TN01, SFNNCASG113TQ01, SFNNCASG113TW01, SFNNXASG113JW01, SFNNXASG113TW01, SFNNYASG113TN01, SFNNYASG113TW01, SFNWCASG113TN01 and SFNXYASG113TN01 |
| | 803828 | Drain Hose Bracket | All other models |
| 12 | 800005DG | Cabinet Side Panel | Dark gray; Right |
| | 806492 | Side Panel Kit | White; Right |
| | 800005QP | Side Panel Kit | Bisque; Right |
| 13 | 501855 | Rubber Foot | Use to prevent movement on smooth surface floor coverings; Install over 2 existing front rubber feet (item 14) |
| 14 | 34318 | Rubber Foot | |
| 15 | 155P3 | Anchor | Includes 4 rubber discs with adhesive backing |
| | 802844P | Anchor Floor Mount Assembly | Includes 2 rubber discs with adhesive backing |
| 16 | 34319 | Leveling Leg | |
| 17 | 21899 | Nut | |
| 18 | 803876 | Base Assembly | |
| 19 | 202470 | Pressure Sensor | |

Junction Box

Models BF3JGBJG403UN01, BF3JGBJG403UN06, BF3JGBJG403UW01, BF3JGBJG403UW06, BF3JGBJP403UN01, BF3JGBJP403UN06, BF3JGBJP403UW01, BF3JGBJP403UW06, PF3JGBJG403UG06, PF3JGBJP403UG06, SFNNCAJP113TW01, SFNNXAJP113CN01, SFNNXASP303AN01 and SFNNYAJP113TW01



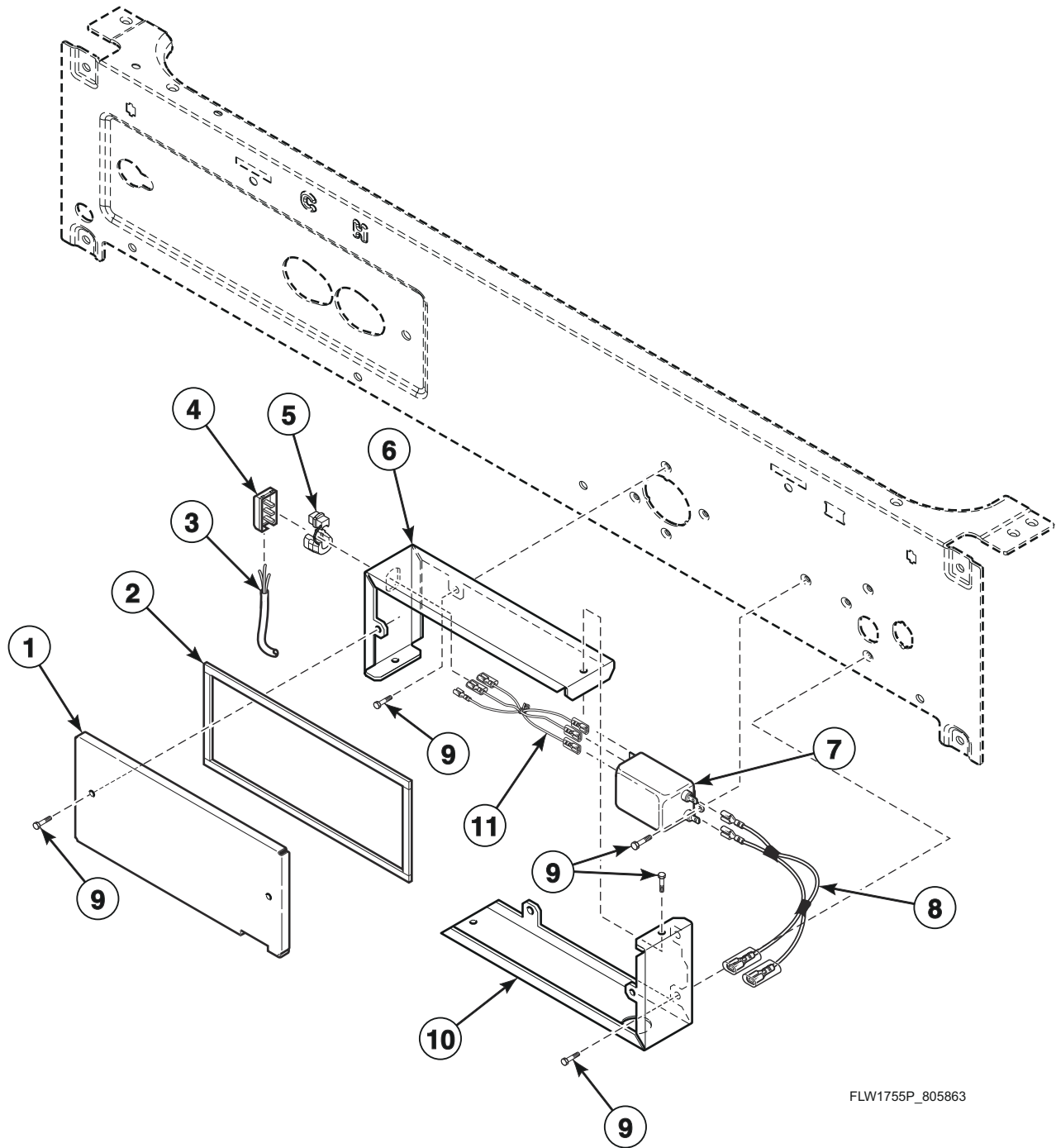
FLW1756P_805863

Junction Box

| REF | PART NO. | DESCRIPTION | COMMENTS |
|-----|----------|---|----------|
| 1 | 803820 | Junction Box Cover | |
| 2 | 803832 | Junction Box Seal | |
| 3 | 803827 | Junction Box | Upper |
| 4 | M402542 | Snap Bushing | |
| 5 | 804528 | Chemical Injection Control | |
| 6 | 503661 | Screw | |
| 7 | 804561 | Junction Box | Lower |
| 8 | M400149 | Connector | |
| 9 | 804799 | Supply Injection Wire Harness Assembly | |

Junction Box and Power Cord

Models HFNNXASP123DW01, HFNNXASP543DW01, JFNJEASG303EW06, JFNJEASP303EW06, JFNJXASG303EW06, JFNJXASP303EW06, PFNJXASG303UG06, PFNJXASG543ZG01, PFNJXASP303UG06, PFNJXASP304AG01, PFNJXASP543ZG01, SFNNXASG113JW01, SFNNXASP123DW01, SFNNXASP303AN01, SFNNXASP303AN12, SFNNXASP303AW01, SFNNXASP303AW12, SFNNXASP543DW01 and SFNNXRSP543NW23

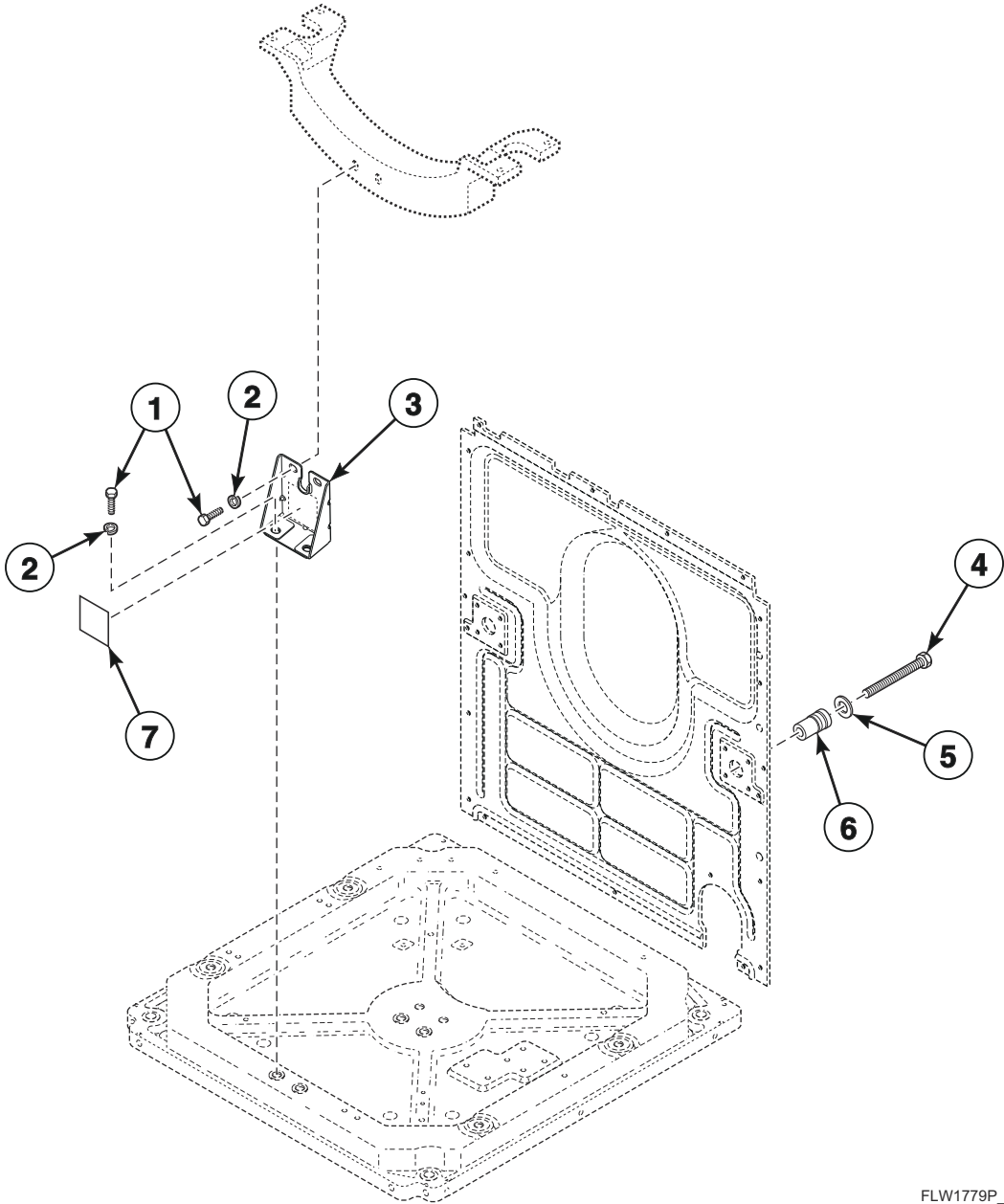


FLW1755P_805863

Junction Box and Power Cord

| REF | PART NO. | DESCRIPTION | COMMENTS |
|-----|----------|-----------------------|--|
| 1 | 803820 | Junction Box Cover | |
| 2 | 803832 | Junction Box Seal | |
| 3 | 39931 | Power Cord Assembly | Models PFNJXASG304AG01, SFNNXASP303AN01, SFNNXASP303AN12, SFNNXASP303AW01 and SFNNXASP303AW12 |
| | 801450 | Power Cord Assembly | Models PFNJXASG303UG06, PFNJXASG543ZG01, PFNJXASP303UG06, PFNJXASP543ZG01 and SFNNXRSP543NW23 |
| | 202624 | Power Cord Assembly | Model SFNNXASG113JW01 |
| | 804556 | Lead-In Cord Assembly | Models HFNNXASP123DW01, HFNNXASP543DW01, SFNNXASP123DW01 and SFNNXASP543DW01 |
| | 805762 | Power Cord Assembly | Models JFNJEASG303EW06, JFNJEASP303EW06, JFNJXASG303EW06 and JFNJXASP303EW06 |
| 4 | 39922 | Cable Connection Box | |
| 5 | 38384 | Strain Relief | |
| 6 | 804559 | Junction Box | Upper; Model SFNNXASG113JW01 |
| | 803818 | Junction Box | Upper; All other models |
| 7 | 805633 | Line Filter | Model SFNNXRSP543NW23; All other models except JFNJEASG303EW06, JFNEASP303EW06, JFNJXASG303EW06 and JFNJXASP303EW06 starting Serial Nos. beginning 1610 |
| 8 | 804396 | Filter Harness | Filter to main harness; Model SFNNXRSP543NW23; All other models except JFNJEASG303EW06, JFNEASP303EW06, JFNJXASG303EW06 and JFNJXASP303EW06 starting Serial Nos. beginning 1610 |
| 9 | 503661 | Screw | |
| 10 | 803819 | Junction Box | Lower |
| 11 | 804805 | Filter Jumper Harness | Filter to power cord terminal block; Models JFNJEASG303EW06, JFNEASP303EW06, JFNJXASG303EW06 and JFNJXASP303EW06; All other models except SFNNXRSP543NW23 through Serial Nos. beginning 1610 |
| | 801420 | Filter Jumper Harness | Filter to power cord terminal block; Model SFNNXRSP543NW23; All other models except JFNJEASG303EW06, JFNEASP303EW06, JFNJXASG303EW06 and JFNJXASP303EW06 starting Serial Nos. beginning 1610 |

Shipping Materials

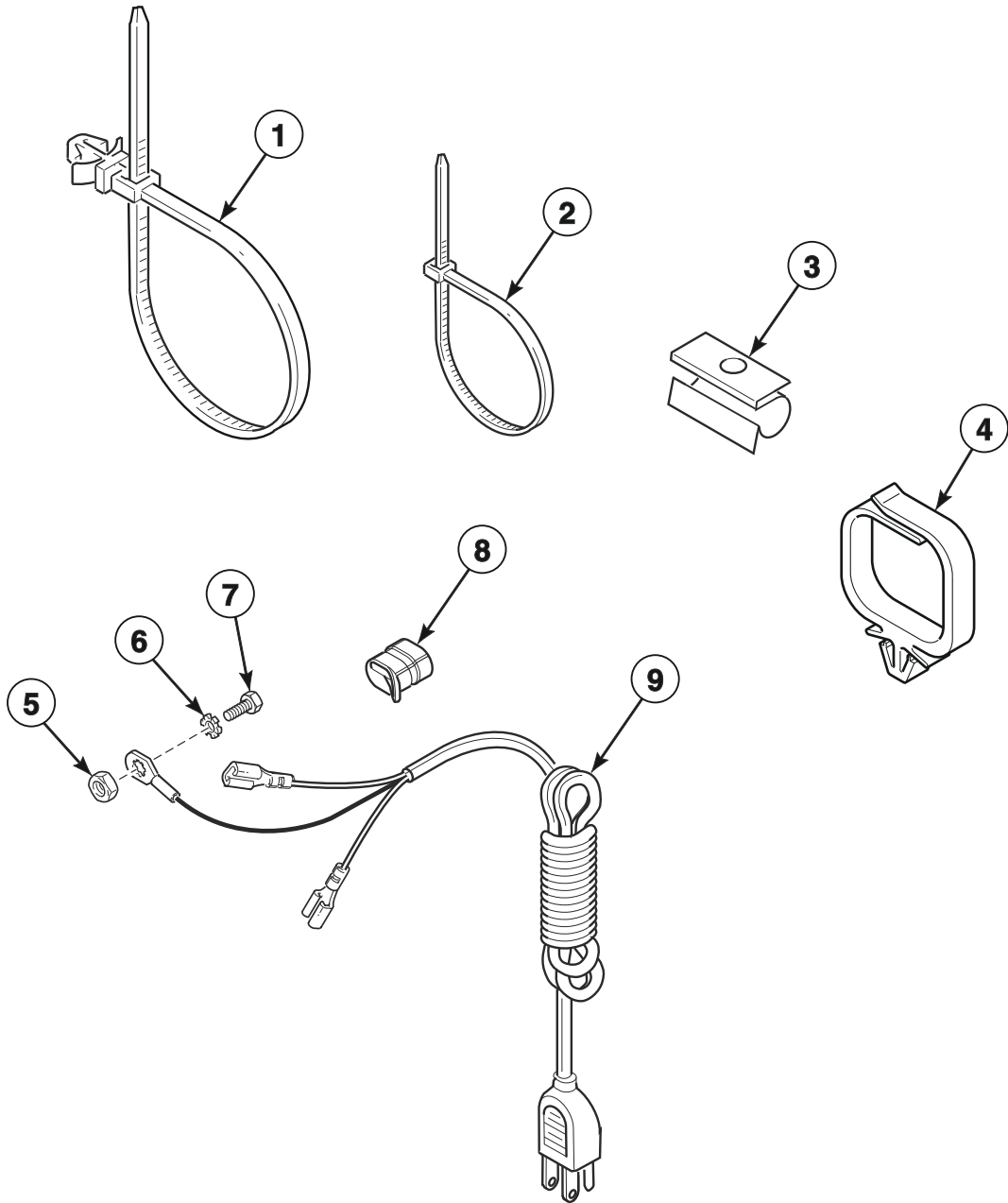


FLW1779P_805863

Shipping Materials

| REF | PART NO. | DESCRIPTION | COMMENTS |
|-----|----------|-----------------|----------------|
| 1 | M400043 | Screw | |
| 2 | M400014 | Washer | |
| 3 | 804454 | Shipping Brace | |
| 4 | 800462 | Screw | |
| 5 | 800624 | Washer | |
| 6 | 803858 | Shipping Spacer | |
| 7 | 804488 | Label | Shipping brace |

Wire Ties, Harness Clips and Lead-In Cord

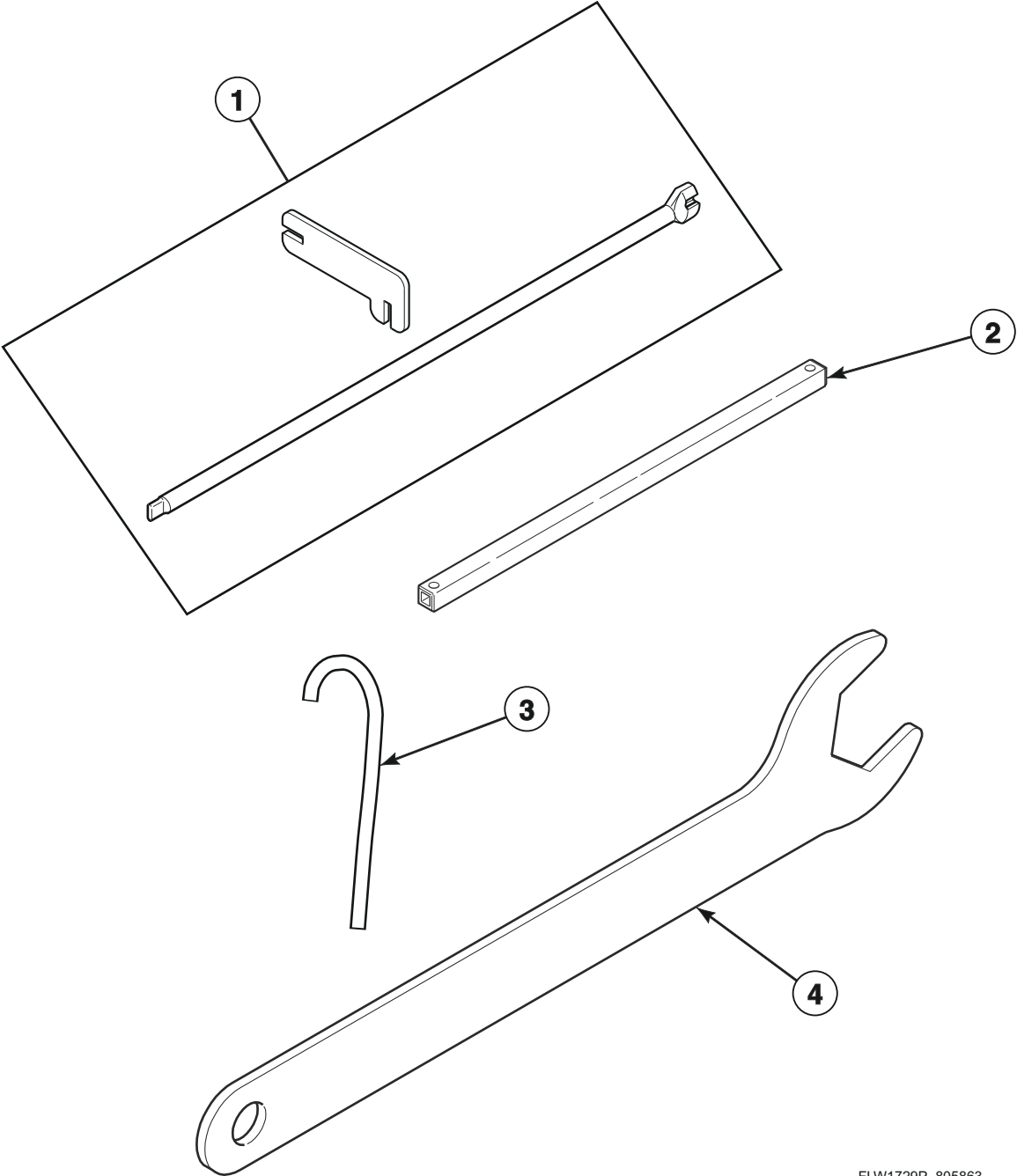


FLW1775P_805863

Wire Ties, Harness Clips and Lead-In Cord

| REF | PART NO. | DESCRIPTION | COMMENTS |
|--------|----------|---------------------|---|
| 1 | M405829 | Cable Tie | 6.13 inches |
| 2 | 55881 | Harness Strap | |
| 3 | 36985 | Hose Clip | |
| 4 | F8449502 | Wire Clip | |
| 5 | 03673 | Nut | |
| 6 | 03815 | Washer | |
| 7 | 20530 | Screw | |
| 8 | 38384 | Strain Relief | |
| 9 | 202777 | Lead-In Cord | Models HFNNEASP113CW01, HFNNERSP113CW01, HFNNXASP113CN01, HFNNXASP113CW01, HFNNXRSP113CW01, HFNNYASP113CW01, HFNNYBSP113CW01, HFNNYRSP113CW01, PFNJCASG114TG01, PFNJCASG114TN01, PFNJCASP114TG01, PFNJCASP114TN01, PFNXXASP114TG01, PFNXXASP114TN01, SFNNCAJP113TW01, SFNNCASG113TN01, SFNNCASG113TQ01, SFNNCASG113TW01, SFNNCASP113TN01, SFNNCASP113TQ01, SFNNCASP113TW01, SFNNCRSP113TW01, SFNNCRSP113TW02, SFNNEASP113CW01, SFNNERSP113CW02, SFNNXAJP113CN01, SFNNXASG113TW01, SFNNXASP113CN01, SFNNXASP113CW01, SFNNXASP113TN01, SFNNXASP113TW01, SFNNXRSP113CW02, SFNNXRSP113TW02, SFNNYAJP113TW01, SFNNYASG113TN01, SFNNYASG113TW01, SFNNYASP113CW01, SFNNYASP113TN01, SFNNYASP113TW01, SFNNYBSP113TN01, SFNNYBSP113TW01, SFNNYRSP113TW01, SFNWCASG113TN01, SFNWCASP113TN01, SFNXYASG113TN01, SFNXYASP113TN01, SFNXYASP113TW01 and SFNXYRSP113TW01 |
| 805761 | | Power Cord Assembly | Models BF3JGBJG403UN01, BF3JGBJG403UN06, BF3JGBJG403UW01, BF3JGBJG403UW06, BF3JGBJP403UN01, BF3JGBJP403UN06, BF3JGBJP403UW01, BF3JGBJP403UW06, BF3JGBSG403UN01, BF3JGBSG403UN06, BF3JGBSG403UW01, BF3JGBSG403UW06, BF3JGBSP403UN01, BF3JGBSP403UN06, BF3JGBSP403UW01, BF3JGBSP403UW06, BF3JLBSG403UN01, BF3JLBSG403UN06, BF3JLBSG403UW01, BF3JLBSG403UW06, BF3JLBSP403UN01, BF3JLBSP403UN06, BF3JLBSP403UW01, BF3JLBSP403UW06, BF3JXASG403UN01, BF3JXASG403UN06, BF3JXASP403UN01, BF3JXASP403UN06, BF3JXASP403UW01, BF3JXASP403UW06, JF3JEASP413EW06, JF3JGASP413EW06, JF3JGBSP413EW06, JF3JMASG413EN06, JF3JMBSG413EN06, JF3JXASP413EW06, NF3JGBSP403SW01, NF3JLBSG403UN01, NF3JLBSG403UT01, NF3JLBSG403UT06, NF3JLBSP403NN22, NF3JLBSP403NW22, NF3JLBSP403UN01, NF3JLBSP403UT01, NF3JLBSP403UT06, NF3JLBSP403UW01, NF3JXASG403UN01, NF3JXASG403UW01, NF3JXASP403NW22, NF3JXASP403UN01, NF3JXASP403UW01, NF3JXASP403UW06, NF3JYASG403UW01, PF3JGBJG403UG06, PF3JGBJP403UG06, PF3JGBSG403UG06, PF3JGBSP403UG06, PF3JXASG403UG06, PF3JXASP403UG06, SF3JXASP403EW06 and TF3JXASP403NW22 |

Special Tools

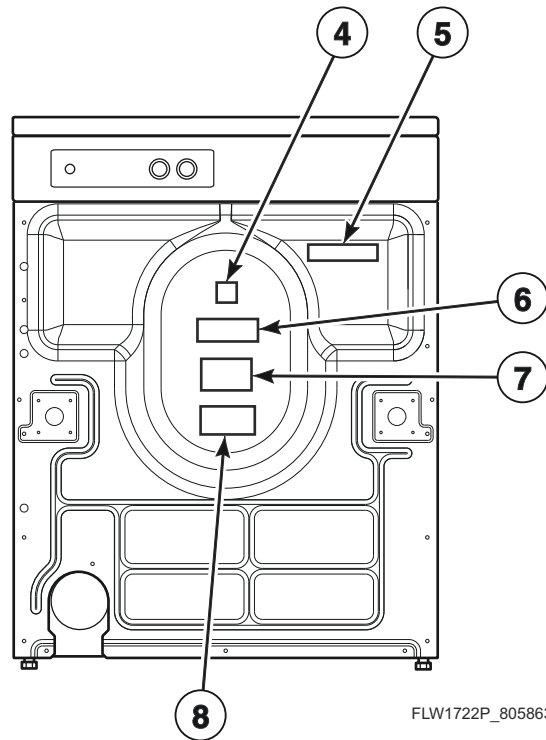
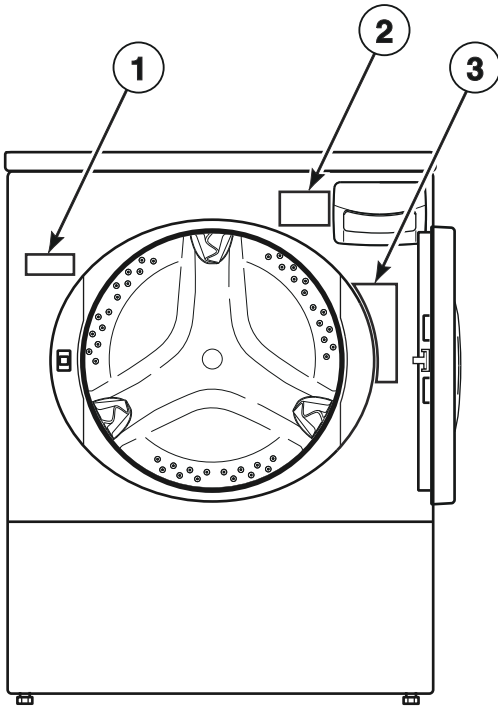


FLW1729P_805863

Special Tools

| REF | PART NO. | DESCRIPTION | COMMENTS |
|-----|----------|--------------------------------|---|
| 1 | CK096 | Mounting Tool Kit | Use to install and remove electronic coin drop kits |
| 2 | 310P4 | Ratchet Extension Tool | 1/4 inch; Use to install and remove non-electronic coin drops |
| 3 | 802336 | Pulley Bolt Tightening Fixture | Use to install inner basket |
| 4 | 392P4 | Wrench | Use for leveling leg locknuts |

Washer Labels

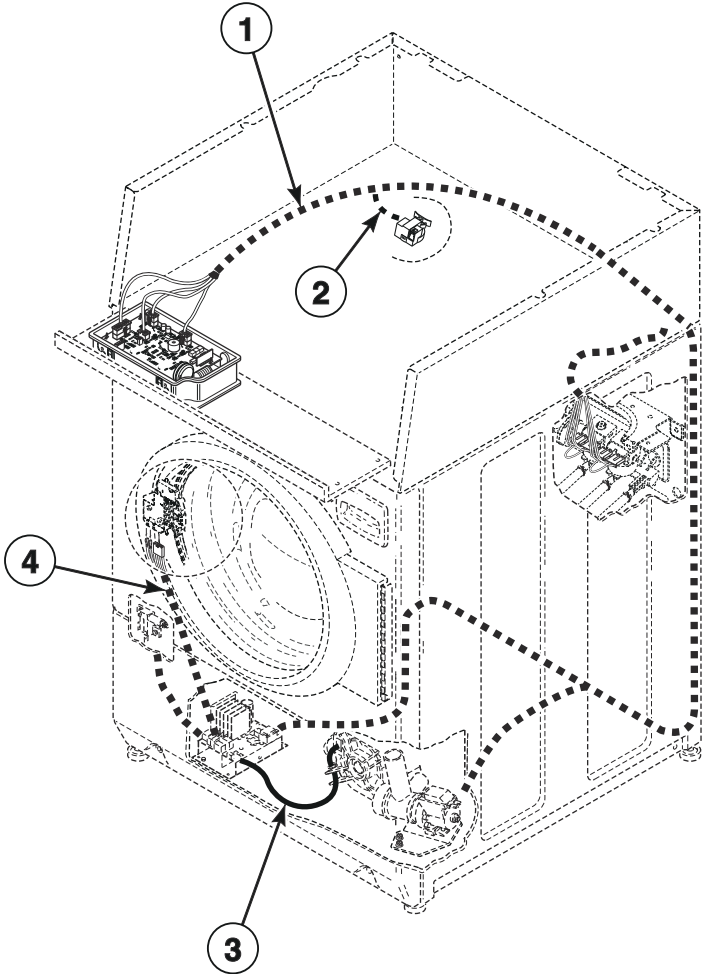


FLW1722P_805863

Washer Labels

| REF | PART NO. | DESCRIPTION | COMMENTS |
|-----|----------|--------------------------------|----------------------------------|
| 1 | 803011 | Notice Label | |
| 2 | 802074 | Oversudsing Label | English |
| | 802838 | Oversudsing Label | Spanish |
| 3 | 802367 | Warning Label | Reduce Fire Risk |
| 4 | 513371 | Read Instructions Label | |
| 5 | 505281 | Disconnect Power Warning Label | English |
| | 500316 | Warning Label | English/French; Disconnect Power |
| | 801706 | Caution Label | Icon; Ground Machine |
| 6 | 685928 | Left Hand Thread Label | Text |
| | 804949 | Left Hand Thread Label | Icon |
| 7 | 803260 | Warning Label | Disconnect Power |
| | F8211201 | Electrical Shock Label | Icon |
| 8 | 500049 | Warning Label | English |
| | 500314 | Warning Label | English/French |
| | F8211301 | Pinched Fingers Label | Icon; Crush Hazard |

Wire Harnesses and Wires



FLW1780P_805863

Wire Harnesses and Wires

| REF | PART NO. | DESCRIPTION | COMMENTS |
|-----|----------|----------------------------|---|
| | 45001 | 18 Gauge Wire | Black; Order wire by foot and terminals and connectors as required |
| 1 | 806030 | Rear Control Harness | Models HFNNERSP113CW01, HFNNXRSP113CW01, HFNNYRSP113CW01, SFNNCRSP113TW01, SFNNCRSP113TW02, SFNNERSP113CW02, SFNNXRSP113CW02, SFNNXRSP113TW02, SFNNXRSP543NW23, SFNNYRSP113TW01 and SFNWYRSP113TW01 |
| | 806032 | Front Control Harness | Models BF3JGBJG403UN01, BF3JGBJG403UN06, BF3JGBJG403UW01, BF3JGBJG403UW06, BF3JGBJP403UN01, BF3JGBJP403UN06, BF3JGBJP403UW01, BF3JGBJP403UW06, BF3JGBSG403UN01, BF3JGBSG403UN06, BF3JGBSG403UW01, BF3JGBSG403UW06, BF3JGBSP403UN01, BF3JGBSP403UN06, BF3JGBSP403UW01, BF3JGBSP403UW06, BF3JLBSG403UN01, BF3JLBSG403UN06, BF3JLBSG403UW01, BF3JLBSG403UW06, BF3JLBSP403UN01, BF3JLBSP403UN06, BF3JLBSP403UW01, BF3JLBSP403UW06, BF3JXASG403UN01, BF3JXASG403UN06, BF3JXASP403UN01, BF3JXASP403UN06, BF3JXASP403UW01, BF3JXASP403UW06, JF3JEASP413EW06, JF3JGASP413EW06, JF3JGBSP413EW06, JF3JMASG413EN06, JF3JMBSG413EN06, JF3JXASP413EW06, NF3JGBSP403SW01, NF3JLBSG403UN01, NF3JLBSG403UT01, NF3JLBSG403UT06, NF3JLBSP403NN22, NF3JLBSP403NW22, NF3JLBSP403UN01, NF3JLBSP403UT01, NF3JLBSP403UT06, NF3JLBSP403UW01, NF3JXASG403UN01, NF3JXASG403UW01, NF3JXASP403NW22, NF3JXASP403UN01, NF3JXASP403UW01, NF3JXASP403UW06, NF3JYASG403UW01, PF3JGBJG403UG06, PF3JGBJP403UG06, PF3JGBSG403UG06, PF3JGBSP403UG06, PF3JXASG403UG06, PF3JXASP403UG06, SF3JXASP403EW06 and TF3JXASP403NW22 |
| | 806031 | Front Control Harness | All other models |
| 2 | 804433 | Pressure Sensor Harness | |
| 3 | 806029 | Motor Harness | |
| 4 | 806028 | Door Lock Harness Assembly | |

NOTE: Individual wires are not available separately. Order complete harness, or order wire by the foot. When applying terminals to wires, it is recommended that the terminals be soldered to the wires.

Parts Index

A

| | |
|-----------------------------|----|
| Access Panel Assembly | |
| 804617DGP | 37 |
| 804617Q | 37 |
| 804617W | 37 |
| 804618 | 37 |
| Anchor | |
| 155P3 | 63 |
| Anchor Floor Mount Assembly | |
| 802844P | 63 |
| Anti-Seize Compound | |
| 27604P | 53 |

B

| | |
|-----------------------|------------|
| Backflow Preventer | |
| 800310 | 59 |
| Balance Ring Assembly | |
| 804393 | 53 |
| Base Assembly | |
| 803876 | 63 |
| Bearing Housing Kit | |
| 805525 | 53 |
| Bearing Kit | |
| 805730 | 53 |
| Bolt | |
| 02505 | 29 |
| 29651 | 7, 17, 25 |
| 32184 | 35 |
| Bracket | |
| 201918 | 35 |
| 510146 | 29, 31 |
| Bumper Pad | |
| 36226 | 25, 27, 63 |

C

| | |
|----------------------------|-----------|
| Cabinet Panel Kit | |
| 800004QP | 63 |
| 800004WP | 63 |
| Cabinet Side Panel | |
| 800004DG | 63 |
| 800005DG | 63 |
| Cabinet Top Kit | |
| 802247QP | 7 |
| Cable Connection Box | |
| 39922 | 67 |
| Cable Tie | |
| M405829 | 71 |
| Card Insert Overlay | |
| 514391 | 23 |
| Caution Label | |
| 801706 | 75 |
| Central Pay Harness | |
| 805427 | 5, 31, 33 |
| Chemical Injection Control | |
| 804528 | 65 |

| | |
|-----------------------------------|---------------|
| Chemical Injection Conversion Kit | |
| 805938 | 43 |
| 805939 | 43 |
| Clamp Ring | |
| 803802 | 51 |
| Clip | |
| 201572 | 21 |
| Clothes Guard Deflector | |
| 804467 | 51 |
| 805548 | 51 |
| Coin Box Extension Kit | |
| 803578P | 29 |
| Coin Drop | |
| 38963P | 19 |
| 70441601P | 19, 29 |
| Coin Drop Assembly | |
| CK114 | 19 |
| CK123 | 19 |
| 38462P | 19 |
| 38463 | 19 |
| 38464P | 19 |
| 38467 | 19 |
| 38472 | 19 |
| 38519 | 19 |
| 38521 | 19 |
| 70441602 | 19, 29 |
| 70441603 | 19 |
| 70482401 | 19 |
| Coin Drop Wire Harness | |
| 201104 | 21 |
| Coin Identification Paper | |
| 38725 | 19, 21, 29 |
| Compartment Cover | |
| 803669 | 43 |
| Connector | |
| M400149 | 65 |
| 801789 | 17, 27 |
| Contactora | |
| 70482603 | 9 |
| 806428 | 9 |
| Control Assembly | |
| 804471P | 5, 25, 31, 33 |
| 804472P | 5, 25 |
| 806041P | 5, 25 |
| Control Bracket | |
| 804612 | 25 |
| Control Hood | |
| 502567W | 33 |
| 511253W | 31 |
| Control Overlay | |
| 805371 | 33 |
| 805372 | 31 |
| 805375 | 27 |
| 805376 | 27 |
| 805378 | 27 |
| 805379 | 27 |
| 805675 | 27 |
| 805768 | 27 |
| 806042 | 27 |
| Control Panel | |
| 803962BP | 17 |
| 803962DG | 17 |
| 803962WP | 17 |

N/A items do not appear in index.

| | |
|--|-------|
| 803970B..... | 23 |
| Control Panel and Bracket Assembly 800149W..... | 33 |
| Control Panel and Stud Assembly 800710W..... | 31 |
| 805512W..... | 31 |
| Control Panel Assembly 804070B..... | 5 |
| 804070DG..... | 5 |
| 804070Q..... | 5 |
| 804070W..... | 5 |
| 804962..... | 27 |
| 804963..... | 27 |
| 805008..... | 27 |
| Control Shield 804363..... | 5, 25 |
| Control Wrapper 804627W..... | 25 |
| 804628B..... | 25 |
| 804628DG..... | 25 |
| 804628W..... | 25 |
| 804629B..... | 27 |
| 804629DG..... | 27 |
| 804629W..... | 27 |
| 804630B..... | 27 |
| 804630DG..... | 27 |
| 804630W..... | 27 |
| Conversion Kit 805832..... | 9 |
| Counterweight 803810..... | 51 |

D

| | |
|---|----------------|
| Detergent Hose 804717..... | 43 |
| Diagnostic Wire Harness Assembly 202869..... | 27 |
| Disconnect Power Warning Label 505281..... | 29, 31, 33, 75 |
| Dispenser Assembly 803698..... | 43 |
| Dispenser Drawer 803667..... | 43 |
| Dispenser Handle 804227B..... | 43 |
| 804227WP..... | 43 |
| 804228..... | 43 |
| 804415B..... | 43 |
| 804415W..... | 43 |
| 804526..... | 43 |
| Dispenser Inlet Hose 803849..... | 43, 45 |
| Dispenser Plate 803843..... | 43 |
| Door Assembly 804083QP..... | 37 |
| 804083WP..... | 37 |
| 804210..... | 37 |
| 805550..... | 37 |
| Door Catch Assembly 802803..... | 37 |
| Door Glass 802695P..... | 37 |

| | |
|---|--------|
| Door Glass Mounting Plate 804239..... | 37 |
| Door Hinge 802934..... | 37 |
| Door Latch Assembly 803920..... | 37 |
| Door Lock Drip Shield 804784..... | 41 |
| Door Lock Harness Assembly 806028..... | 77 |
| Door Seal 804428P..... | 37 |
| Door Seal Assembly 804429P..... | 37 |
| Drain Base Bracket 803814..... | 59 |
| Drain Hose 27154..... | 59 |
| Drain Hose Bracket 803828..... | 63 |
| Drain Hose Elbow 35766..... | 59 |
| Drain Pump Assembly 803921P..... | 59 |
| 803922..... | 59 |
| 805722P..... | 59 |
| 805724P..... | 59 |
| Drain Pump Drip Shield 805561..... | 61 |
| Drain Pump Isolator 803815..... | 59 |
| Drain Valve 803293..... | 57 |
| Drain Valve Kit F975P3..... | 57 |
| F976P3..... | 57 |
| Drain-to-Cabinet Hose 800903..... | 57 |
| Drive Belt 804985..... | 55 |
| Dual Coin Harness Assembly 202871..... | 19, 29 |

E

| | |
|--|----|
| Electrical Shock Label F8211201..... | 75 |
| Electronic Coin Drop Assembly 70294104..... | 21 |
| 70294105P..... | 21 |
| 70294106..... | 21 |
| 70294107..... | 21 |
| 70294109..... | 21 |
| 70294110..... | 21 |
| 70294111..... | 21 |
| 70294120..... | 21 |
| 70294121..... | 21 |
| 70294122..... | 21 |
| 70294123..... | 21 |
| Electronic Coin Drop Kit CK099..... | 21 |
| CK100..... | 21 |
| CK101..... | 21 |
| CK103..... | 21 |

N/A items do not appear in index.

| | |
|----------------------|------------|
| CK106 | 21 |
| CK108 | 21 |
| CK109 | 21 |
| CK110 | 21 |
| CK113 | 21 |
| CK115 | 21 |
| CK120 | 21 |
| CK121 | 21 |
| End Cap | |
| 210108W | 31 |
| 210109W | 31 |
| End Shield | |
| 806258 | 55 |
| Ethernet Gateway Kit | |
| NK320 | 5, 31, 33 |
| Expansion Clip | |
| 70030501 | 17, 23, 27 |
| Extension Spring | |
| 802285 | 37 |

F

| | |
|--------------------------|-----------|
| Fill Hose | |
| 202799 | 47 |
| 202800 | 47 |
| 202931 | 47 |
| 20617 | 47 |
| 20618 | 47 |
| Filter | |
| 805634 | 9 |
| Filter Harness | |
| 804396 | 67 |
| 804797 | 9, 11, 13 |
| Filter Jumper Harness | |
| 801420 | 67 |
| 804805 | 67 |
| Fitting | |
| 801792P | 9, 11, 13 |
| Foam Pad | |
| 804875 | 43 |
| Foreign Object Deflector | |
| 806308 | 51 |
| 806313 | 51 |
| 806361 | 51 |
| Front Control Harness | |
| 806031 | 77 |
| 806032 | 77 |
| Front Panel | |
| 802277QP | 37 |
| 802277WP | 37 |
| 802288P | 37 |
| Front Panel Assembly Kit | |
| 806505W | 39 |
| 806560 | 39 |

G

| | |
|-----------------------|----|
| Gasket | |
| 802427 | 59 |
| Glass Mounting Clip | |
| 802700 | 37 |
| Gravity Drain Bracket | |
| 803291 | 57 |

| | |
|---------------------|----|
| 803833 | 63 |
| Gravity Drain Valve | |
| 803292 | 57 |
| Grommet | |
| 29175 | 51 |

H

| | |
|------------------------------|--------|
| Harness | |
| 804832 | 31, 33 |
| Harness Assembly | |
| 802905 | 21 |
| Harness Strap | |
| 55881 | 71 |
| Heat Contactor Harness | |
| 805544 | 9 |
| 806431 | 9 |
| Heater Contactor Drip Shield | |
| 805356 | 9 |
| Heating Element | |
| 804777P | 51 |
| 804778P | 51 |
| Hinge | |
| 511036 | 7 |
| Hinge Plate | |
| 802206 | 37 |
| Hood Back Panel | |
| 804223 | 33 |
| Hose and Washers Kit | |
| 203675 | 49 |
| 203676 | 49 |
| Hose Clamp | |
| F200204 | 59 |
| F200206 | 43 |
| 20211 | 59 |
| 20391 | 59 |
| 685725 | 43, 57 |
| 802281 | 37 |
| 803891 | 51 |
| 804173 | 43, 45 |
| Hose Clip | |
| 36985 | 51, 71 |
| 800553 | 51 |

I

| | |
|---------------------------|----|
| Inner Basket Assembly | |
| 804374P | 53 |
| 805485 | 53 |
| Inner Basket Assembly Kit | |
| 804376P | 53 |
| Inner Door Bezel | |
| 804562 | 37 |
| Inner Door Bezel Kit | |
| 802307P | 37 |
| 802331P | 37 |
| Inverter Control Assembly | |
| 803949P | 55 |

N/A items do not appear in index.

J

| | |
|--------------------|--------|
| Junction Box | |
| 803818 | 67 |
| 803819 | 67 |
| 803827 | 65 |
| 804559 | 67 |
| 804561 | 65 |
| Junction Box Cover | |
| 803820 | 65, 67 |
| Junction Box Seal | |
| 803832 | 65, 67 |

K

| | |
|-------------|---|
| Key | |
| 54612 | 5 |

L

| | |
|------------------------|---------------|
| Label | |
| 804488 | 69 |
| 804969 | 5 |
| 805914 | 5 |
| Lead-In Cord | |
| 202777 | 71 |
| Lead-In Cord Assembly | |
| 804556 | 67 |
| Left Hand Thread Label | |
| 685928 | 75 |
| 804949 | 75 |
| Leveling Leg | |
| 34319 | 63 |
| Lid Assembly | |
| 802426P | 59 |
| Lifter | |
| 804382 | 53 |
| Line Filter | |
| 805633 | 9, 11, 13, 67 |
| Lock Assembly | |
| 804339P | 5 |
| Lock Cam | |
| 804338 | 5 |

M

| | |
|-----------------------------|---------------|
| Machine ID Control Assembly | |
| 203361P | 5, 25, 31, 33 |
| Meter Case Assembly | |
| 38724W | 29 |
| 802505W | 29 |
| 804009B | 17 |
| 804009DG | 17 |
| 804009W | 17 |
| Meter Case Assembly Kit | |
| 803063WP | 29 |
| Meter Case Bracket Gasket | |
| 35526 | 29 |
| Meter Case Gasket | |
| 26354 | 29 |

| | |
|-----------------------------|----|
| Meter Case Lockdown Bracket | |
| 35525 | 29 |
| Meter Case Locking Bracket | |
| 30642 | 29 |
| Mixing Valve | |
| 803809 | 45 |
| 803838P | 45 |
| Mixing Valve Screen | |
| 24122 | 45 |
| Mixing Valve Shield | |
| 804783 | 45 |
| Motor and Rod Assembly Kit | |
| 805726P | 55 |
| Motor Control Shield | |
| 804878 | 55 |
| 806498 | 55 |
| Motor Harness | |
| 806029 | 77 |
| Motor Rod | |
| 803861 | 55 |
| Mounting Tool Kit | |
| CK096 | 73 |

N

| | |
|-------------------------------|----------------|
| Nameplate Overlay | |
| 514681 | 17 |
| Network Controller Kit | |
| NK220 | 5, 31, 33 |
| Network Retrofit Kit | |
| 203328 | 5, 31, 33 |
| Network Varistor Assembly | |
| 804651 | 9, 13 |
| Network Wire Harness Assembly | |
| 44088501P | 15 |
| Notice Label | |
| 803011 | 75 |
| Nut | |
| F430218 | 51 |
| 03673 | 71 |
| 201216 | 21 |
| 21899 | 63 |
| 23951 | 35, 37 |
| 27222 | 29 |
| 29786 | 19, 21, 29, 57 |
| 29787 | 9, 11, 13 |
| 30647 | 29, 35 |
| 36020 | 7, 37 |
| 44087101 | 33 |
| 44087201 | 7, 17 |
| 685846 | 37 |
| 800452 | 51, 53 |
| 802292 | 43 |
| 802337 | 29 |
| 802343 | 51 |
| 804418 | 53 |

O

| | |
|-----------------------------|--------|
| Operating Instruction Label | |
| 804327 | 17, 23 |
| 804846 | 17 |
| 806194 | 17 |

N/A items do not appear in index.

| | |
|--------------------------------|------------|
| Operating Instructions Label | |
| 805829 | 17 |
| Opto Coupler | |
| 200674P | 19, 29 |
| O-Ring | |
| F170208 | 43 |
| 802429P | 59 |
| Outer Door Bezel | |
| 803710BP | 37 |
| 803710QP | 37 |
| 803710WP | 37 |
| 803711P | 37 |
| Outer Tub Assembly | |
| 803864 | 51 |
| 803865 | 51 |
| Out-of-Balance Switch Assembly | |
| 803415 | 51 |
| Out-of-Balance Switch Bracket | |
| 804457 | 51 |
| Overlay | |
| 201091 | 17, 21, 29 |
| 514873 | 23 |
| 514874 | 23 |
| 804849 | 5 |
| 804850 | 33 |
| 804851 | 5 |
| 805370 | 31 |
| 805373 | 5 |
| 805374 | 5 |
| 805377 | 5 |
| 805766 | 5 |
| 806015 | 5 |
| 806016 | 5 |
| 806017 | 23 |
| 806173 | 5 |
| Oversudsing Label | |
| 802074 | 75 |
| 802838 | 75 |

P

| | |
|--------------------------|--------|
| Paint | |
| 806436P | 63 |
| Panel Locator | |
| 56079 | 37, 63 |
| Pinched Fingers Label | |
| F8211301 | 75 |
| Pop Rivet | |
| 685847 | 7, 51 |
| 70058501 | 29, 31 |
| Porcelain Touch-Up Paint | |
| 122P4P | 63 |
| 370P4P | 63 |
| Power Cord Assembly | |
| 202624 | 67 |
| 39931 | 67 |
| 801450 | 67 |
| 805761 | 71 |
| 805762 | 67 |
| Pressure Bulb | |
| 803837 | 51 |
| Pressure Sensor | |
| 202470 | 63 |

| | |
|--------------------------------|----|
| Pressure Sensor Harness | |
| 804433 | 77 |
| Pressure Sensor Tube Assembly | |
| 804483 | 51 |
| Pulley Assembly | |
| 803974 | 53 |
| Pulley Bolt Tightening Fixture | |
| 802336 | 73 |
| Pump Housing | |
| 802428 | 59 |
| Pump Housing Assembly | |
| 802434P | 59 |
| Pump-to-Elbow Hose | |
| 803734 | 59 |
| Pump-to-Gravity Drain Kit | |
| 805770 | 59 |
| 805771 | 59 |

R

| | |
|--|--------|
| Ratchet Extension Tool | |
| 310P4 | 73 |
| Read Instructions Label | |
| 513371 | 75 |
| Rear Access Panel | |
| 803998 | 17, 23 |
| 804614 | 27 |
| Rear Control Harness | |
| 806030 | 77 |
| Rear Control Operating Instruction Label | |
| 805830 | 29 |
| Rear Panel | |
| 511254 | 31 |
| 803789 | 63 |
| 803790 | 63 |
| Rear Wrapper Brace | |
| 805345 | 25 |
| Rubber Foot | |
| 34318 | 63 |
| 501855 | 63 |

S

| | |
|----------------|---|
| Screw | |
| M400043 | 53, 69 |
| M400057 | 55 |
| 02916 | 33, 57 |
| 20530 | 29, 31, 71 |
| 23008 | 7 |
| 36048 | 29 |
| 39733 | 25, 37, 63 |
| 501086 | 31, 33 |
| 501524 | 31, 33, 55 |
| 503661 | 9, 11, 13, 15, 29, 31, 33, 37, 55, 57, 59, 61, 63, 65, 67 |
| 503673 | 29 |
| 503688 | 5, 23, 25, 27, 35 |
| 52864 | 31, 33 |
| 52909 | 59 |
| 685831 | 53 |
| 70240301 | 17, 23 |
| 800461 | 51 |
| 800462 | 51, 69 |

N/A items do not appear in index.

| | |
|--|---------------|
| 800548 | 37, 43, 53 |
| 801001 | 43 |
| 801019 | 37 |
| 801045 | 37 |
| 801993 | 37 |
| 802431 | 59 |
| 802596 | 51 |
| 803527P | 27 |
| 804399 | 53 |
| 804647 | 5 |
| 804699 | 53 |
| 806086 | 37 |
| Sealant | |
| 27615P | 57, 59 |
| Security Cabinet Assembly | |
| 804149B | 23 |
| 804149WP | 23 |
| Security Kit | |
| 905P3 | 35 |
| Service Door Assembly | |
| 39874WP | 29 |
| Shipping Brace | |
| 804454 | 69 |
| Shipping Plate | |
| 803851 | 63 |
| Shipping Plug | |
| 803859 | 63 |
| Shipping Spacer | |
| 803858 | 69 |
| Shock Assembly | |
| 803777 | 51 |
| Side Panel Kit | |
| 800005QP | 63 |
| 806492 | 63 |
| Single Coin Harness Assembly | |
| 202870 | 19, 29 |
| Single Drop Overlay | |
| 803476 | 17 |
| Single Overlay | |
| 38717 | 17, 19, 29 |
| Snap Bushing | |
| M400770 | 9 |
| M402542 | 9, 11, 13, 65 |
| 503235 | 57 |
| Standpipe Strap | |
| 33489 | 59 |
| Strain Relief | |
| 38384 | 67, 71 |
| Supply Injection Wire Harness Assembly | |
| 804799 | 65 |
| Switch | |
| 512973 | 5, 17, 29 |

T

| | |
|----------------------------|-----------|
| Terminal Block Assembly | |
| 505876 | 9, 13 |
| 803988 | 9, 11, 13 |
| Terminal Block Drip Shield | |
| 805344 | 9, 11, 13 |
| Terminal Block Harness | |
| 804716 | 13 |
| 804737 | 9 |

| | |
|---------------------------|-----------|
| Terminal Block Panel | |
| 804609 | 9 |
| Top Hinge | |
| 510136 | 63 |
| Top Kit | |
| 511527WP | 29 |
| Top Mounting Bracket | |
| 504228 | 7 |
| Top Panel | |
| 803868Q | 7 |
| 803868WP | 7 |
| 803869 | 7 |
| 804023DG | 7 |
| 804684 | 25 |
| 804685DG | 25 |
| 804685WP | 25 |
| Top Panel Brace Assembly | |
| 804613 | 27 |
| Top Panel Guide | |
| 803761 | 25 |
| Top Panel Kit | |
| 511530WP | 31 |
| Transformer | |
| 201375P | 21 |
| 202757 | 5, 31, 33 |
| 202758 | 5, 33 |
| Transformer Harness | |
| 804795 | 5 |
| 805428 | 5 |
| Transformer Kit | |
| 203423 | 5, 31, 33 |
| 203424 | 5, 33 |
| Trunnion Shaft Kit | |
| 804405P | 53 |
| Tub Front | |
| 803770 | 51 |
| Tub Front Assembly | |
| 803879 | 51 |
| Tub Front Seal | |
| 803801 | 51 |
| Tubing | |
| 801635 | 43 |
| Tub-to-Drain Hose | |
| 803873 | 57 |
| Tub-to-Gravity Drain Hose | |
| 803874 | 57 |
| Tub-to-Pump Hose | |
| 803816 | 59 |
| 803829 | 59 |

U

| | |
|----------------------|-----------|
| Union | |
| 801788 | 17, 27 |
| USB Gateway Kit | |
| NK330 | 5, 31, 33 |
| USB IR Interface Kit | |
| 203346 | 5, 31, 33 |

N/A items do not appear in index.

W

| | |
|-------------------------------|----------------|
| Warning Label | |
| 500049 | 51, 75 |
| 500314 | 75 |
| 500316 | 29, 31, 33, 75 |
| 802367 | 75 |
| 803260 | 75 |
| Washer | |
| M400014 | 69 |
| M400017 | 33, 57 |
| M400080 | 55 |
| M400081 | 51 |
| M403958 | 53 |
| 02834 | 55 |
| 03815 | 71 |
| 200608 | 31, 33 |
| 20290 | 47, 49 |
| 25100 | 35 |
| 800457 | 53 |
| 800464 | 53 |
| 800624 | 69 |
| 802254 | 47, 49 |
| 803615 | 47, 49 |
| 804458 | 51 |
| Water Hose | |
| F200116 | 49 |
| Wire Clamp Ring | |
| 802283 | 37 |
| Wire Clip | |
| F8449502 | 71 |
| Wire Guard | |
| 201595P | 19, 29 |
| Wireless Network Kit | |
| 203327 | 5, 31, 33 |
| Wireless Transceiver Assembly | |
| 202335 | 15 |
| Wire, 18 Gauge | |
| 45001 | 77 |
| Wiring Harness Assembly | |
| 202868 | 5 |
| 202869 | 31 |
| Wrapper Assembly | |
| 804103B | 17 |
| 804104B | 17 |
| 804104DG | 17 |
| 804104W | 17 |
| 804108B | 17, 23 |
| 804108DG | 17 |
| 804108W | 17, 23 |
| 804112B | 23 |
| 804112W | 23 |
| Wrench | |
| 392P4 | 73 |
